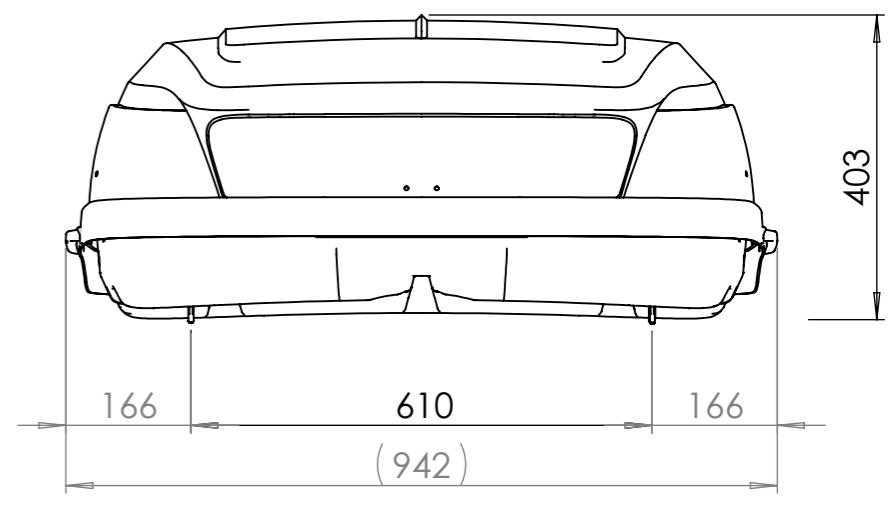
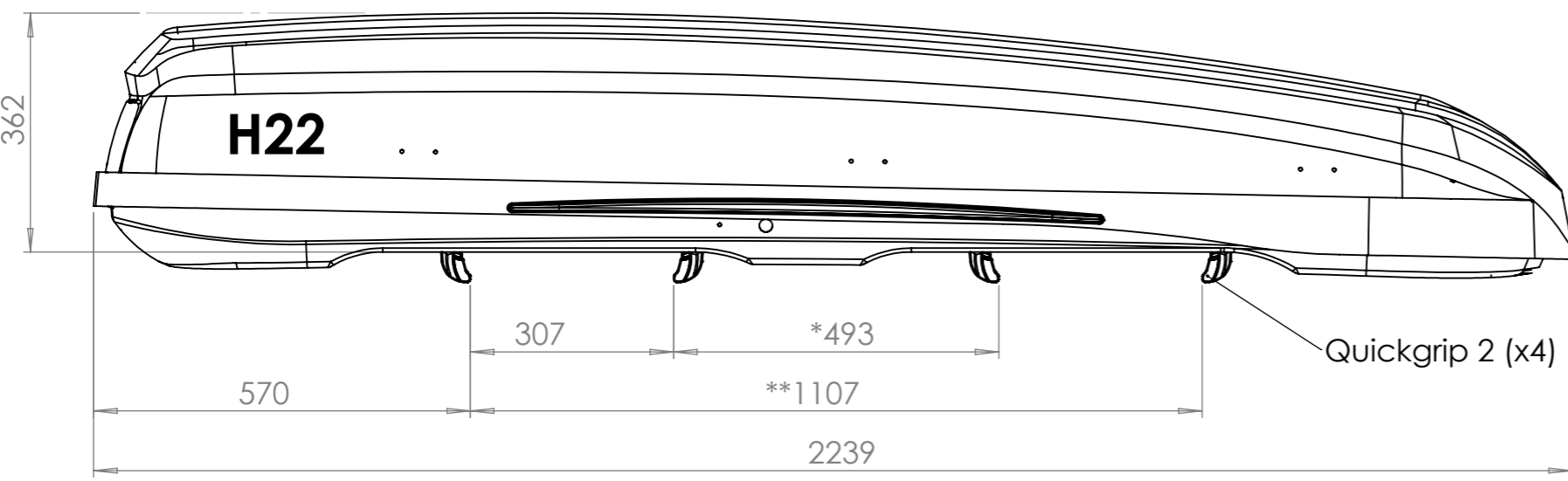
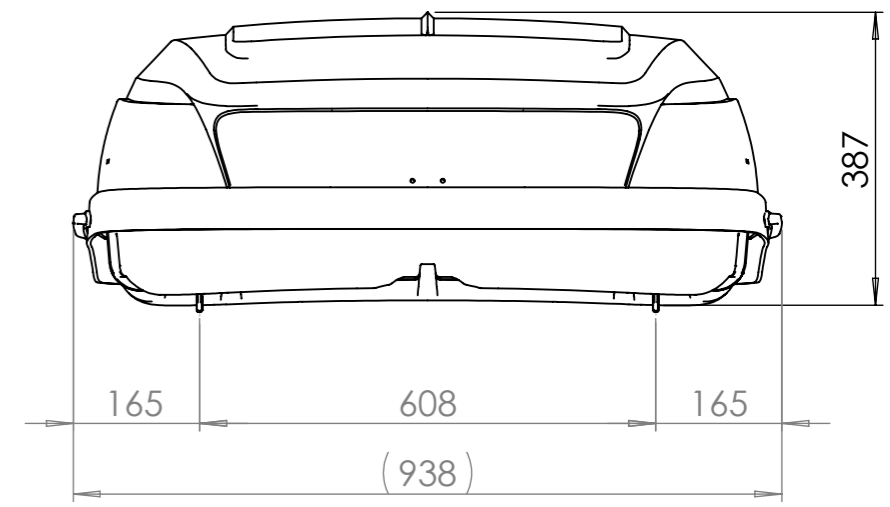
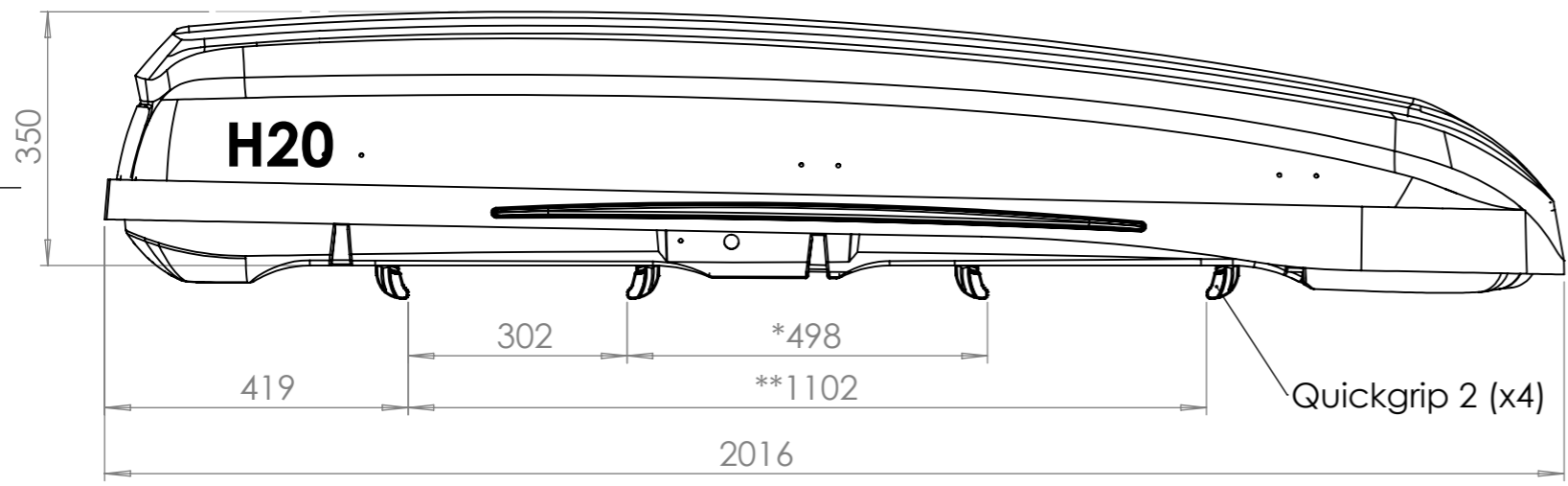
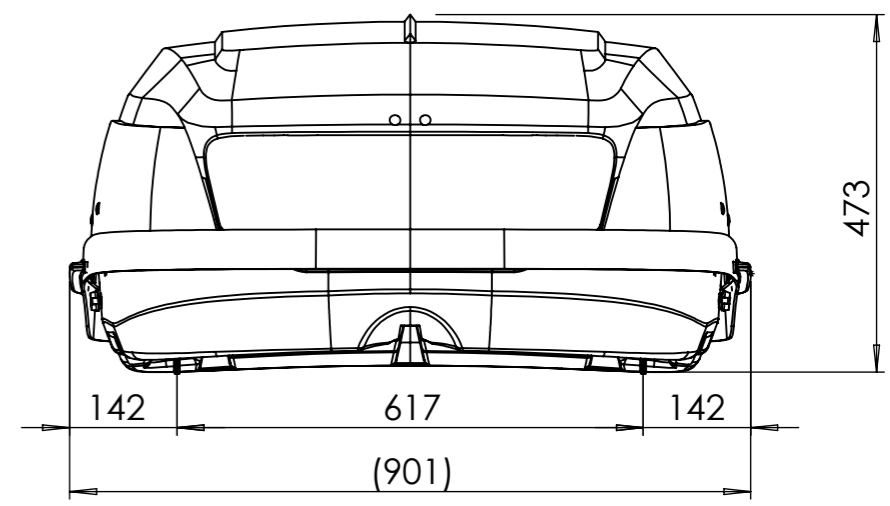
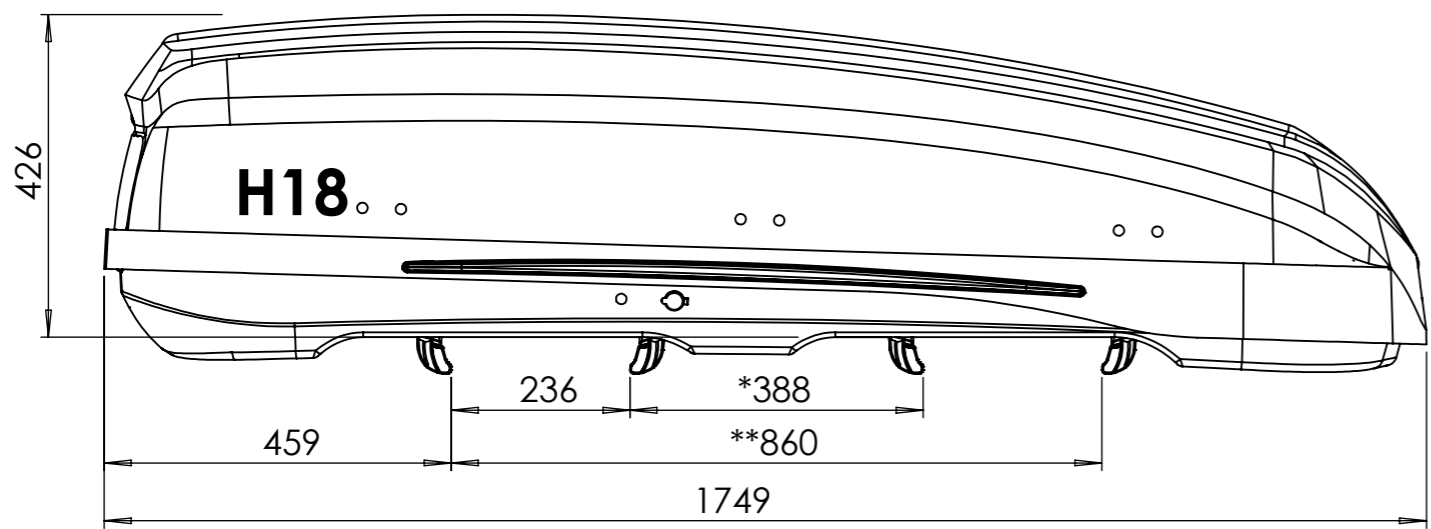


This document must not be copied without our written permission, and the contents thereof must not be imparted to a third party nor be used for any unauthorized purpose. Controvention will be prosecuted.

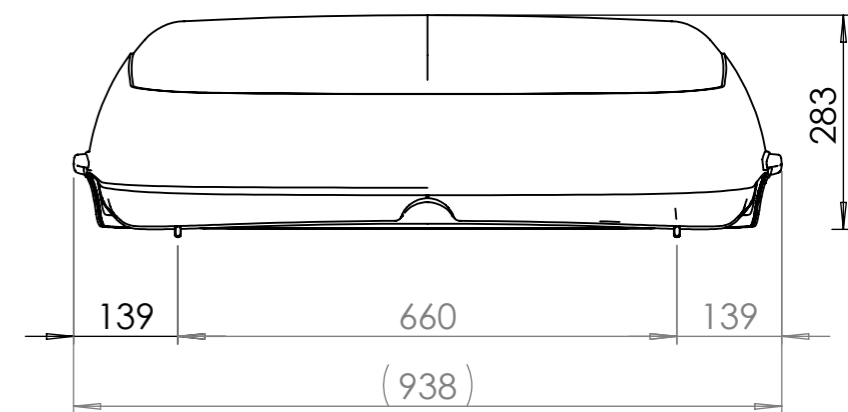
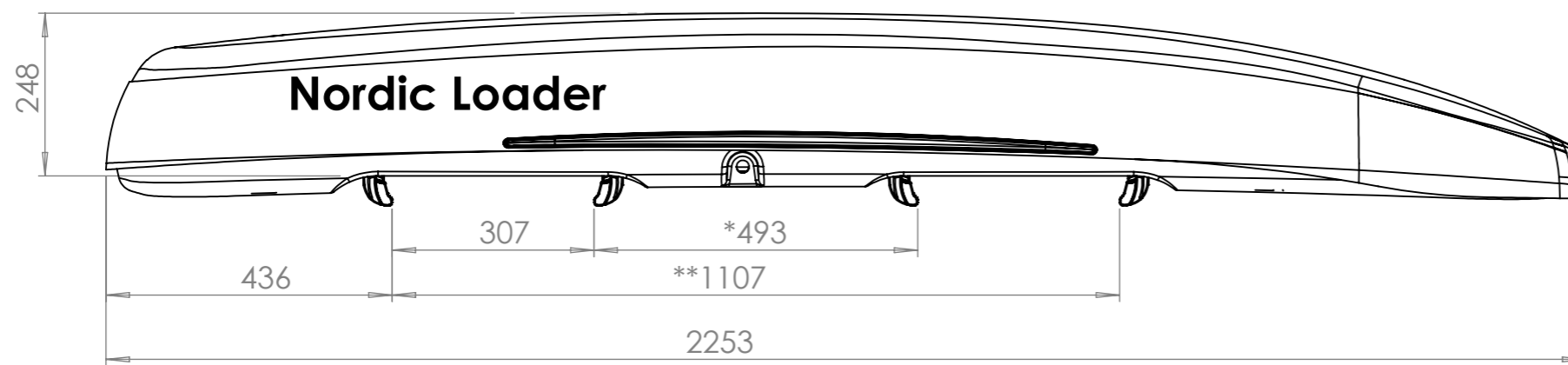
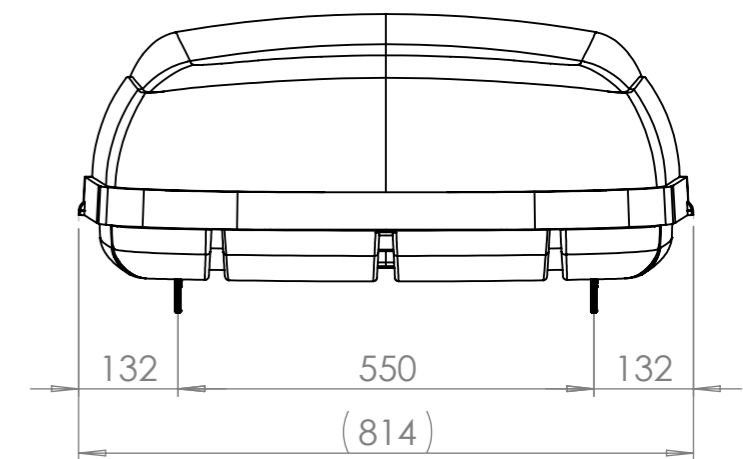
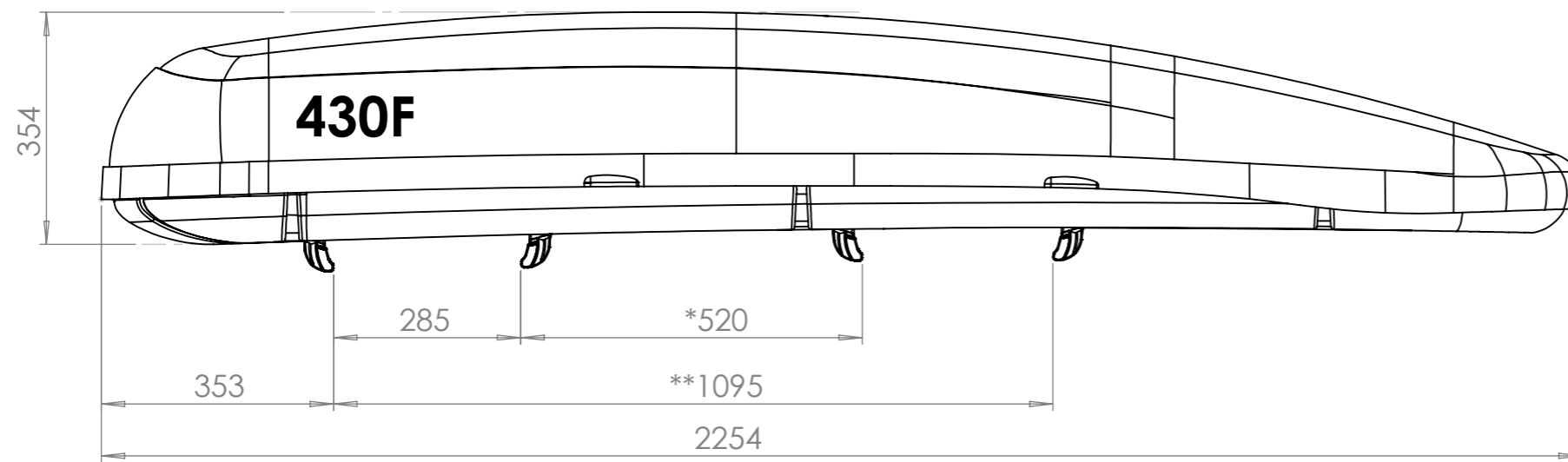
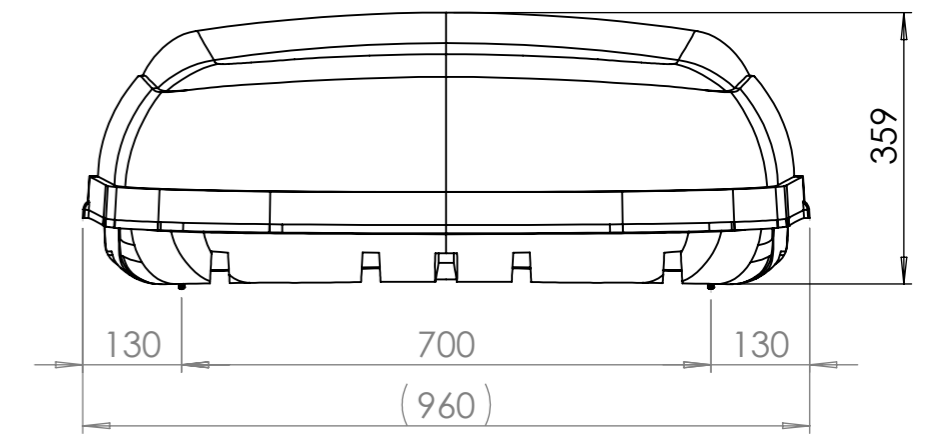
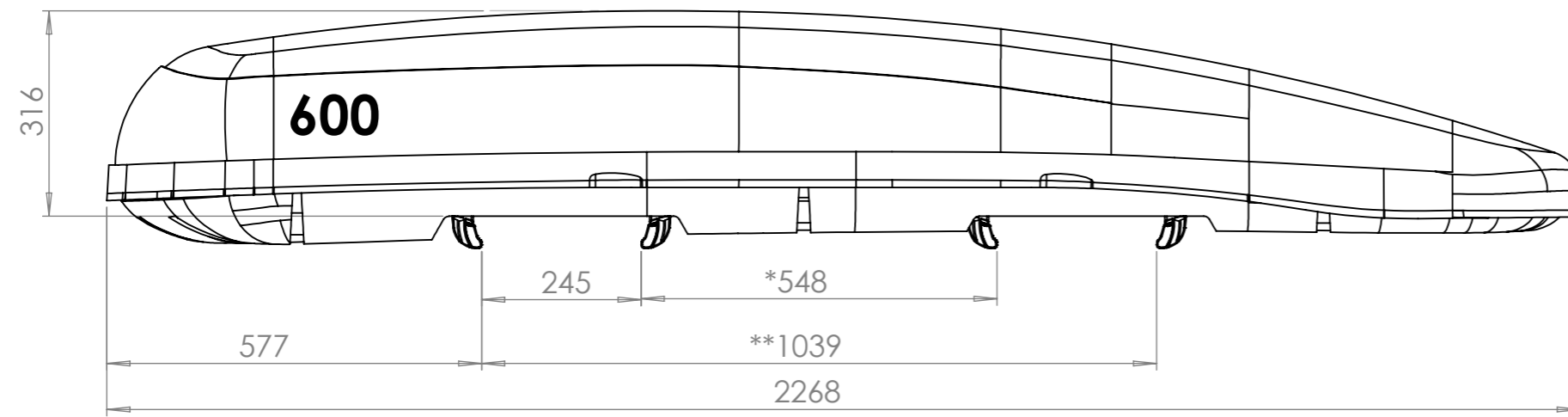
Den här handlingen får ej utgå som teknisk kopia. Den får ej heller delges annan eller eljest obehörigen användas. Överträdelse härav beivras med stöd av gällande lag.

REVISIONS			
REV.	DESCRIPTION	DATE	APPROVED
B	New roof box assortment MY19	2019-11-09	MAPE
C	Rear view and dimensions added	2020-01-13	MASO
D	Added H18 and Aero Loader	2021-02-26	ANAH



Note: * Min distance between roof rails
 ** Max distance between roof rails

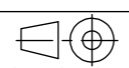
Project No	Material	Surface Treatment		Surface Finish	Mass	Mass tol.
Tolerance	(Where nothing else is given)	Designed MAPE	Approved MASO	Created Date 2018-10-18	Approved Date 2019-09-11	State Approved
Dimensions in mm		autoform		Description OVERVIEW PLACEMENT FOR ROOF RAILS CALIX ROOF BOXES WITH QUICKGRIP 2		Scale 1:10 Rev. D Draw.no 00047027
						Mass tol. 5% Size A3 Sheet 1/3



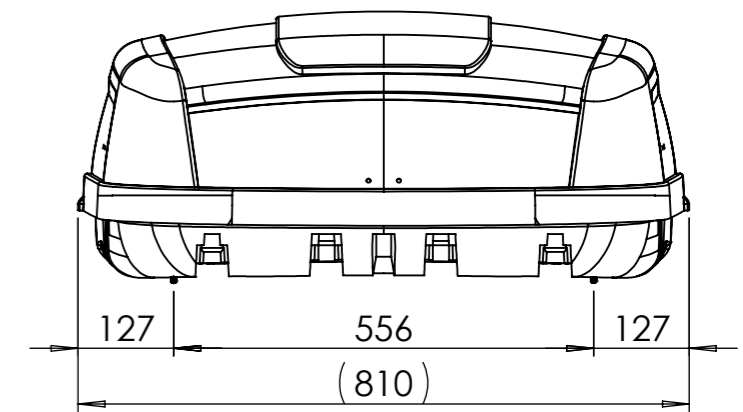
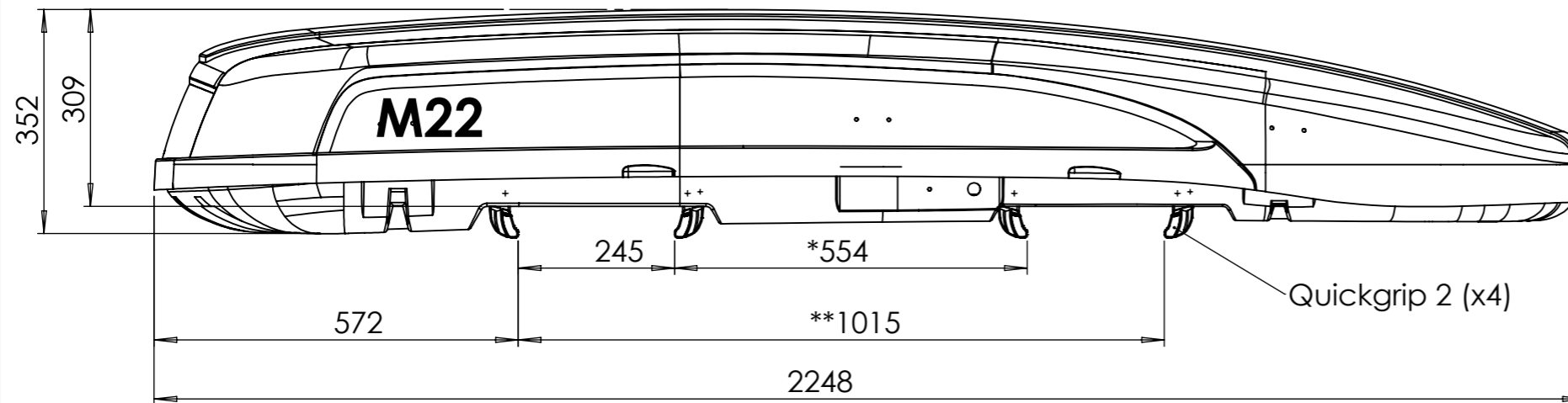
This document must not be copied without our written permission and the contents thereof must not be imparted to a third party nor be used for any unauthorized purpose. Contrainvention will be prosecuted.

Den här handlingen får ej utan vårt medgivande kopieras. Den får ej heller delges annan eller eljest obehörigen användas. Överträdelse härav beivras med stöd av gällande lag.

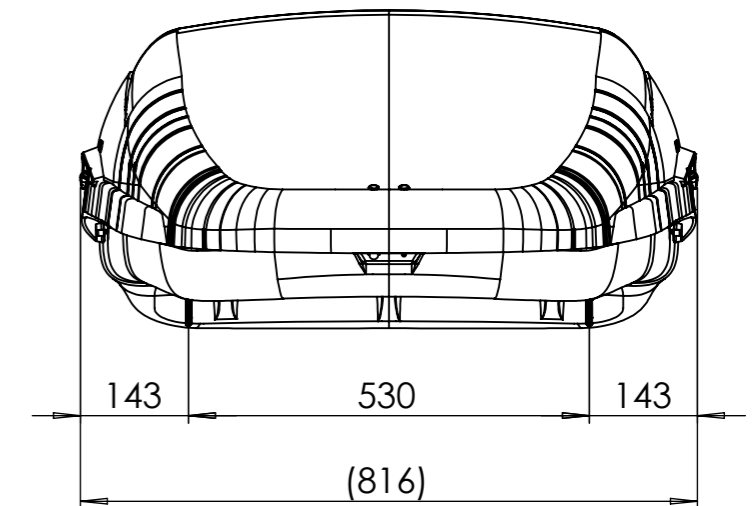
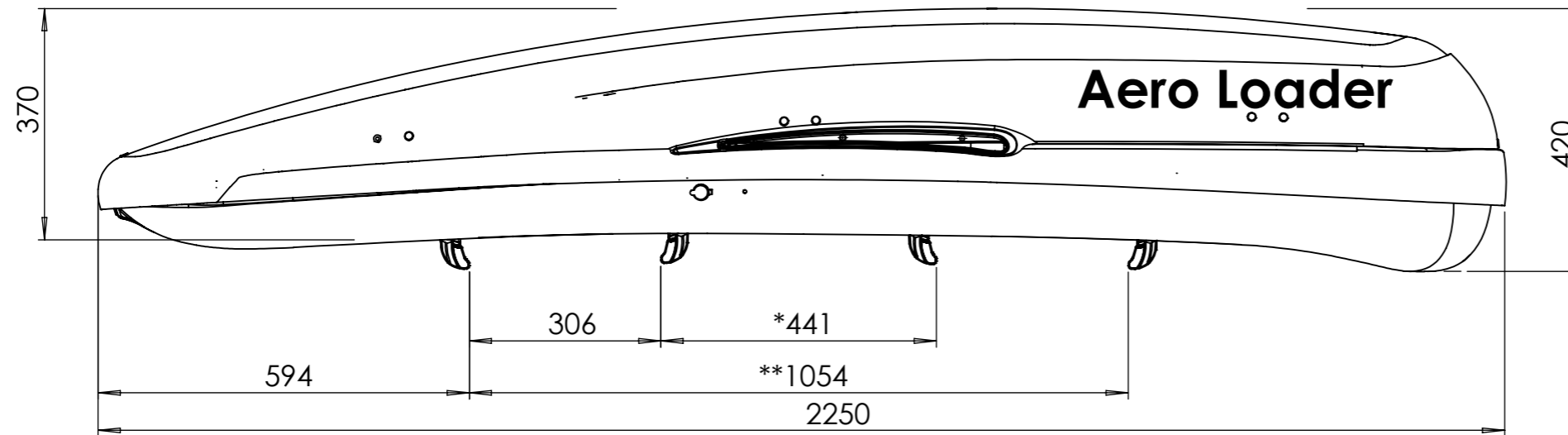
Note: * Min distance between roof rails
 ** Max distance between roof rails

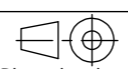
Project No	Material	Surface Treatment		Surface Finish	Mass	Mass tol.
Tolerance	(Where nothing else is given)	Designed MAPE	Approved MASO	Created Date 2018-10-18	Approved Date 2019-09-11	State Approved
 Dimensions in mm		autoform		Description OVERVIEW PLACEMENT FOR ROOF RAILS CALIX ROOF BOXES WITH QUICKGRIP 2		Scale 1:10 Rev. D Draw.no 00047027
					Mass	Mass tol. 5%
					Size	A3
					Sheet	2/3

This document must not be copied without our written permission, and the contents thereof must not be imparted to a third party nor be used for any unauthorized purpose. Contrainvention will be prosecuted.



Denna handling är ej utan vårt medgivande kopierad. Den får ej heller delges annan eller eljest obehörigen användas. Överträdelse härav beivras med stöd av gällande lag.



Project No	Material	Surface Treatment		Surface Finish	Mass	Mass tol.
Tolerance	(Where nothing else is given)	Designed MAPE	Approved MASO	Created Date 2018-10-18	Approved Date 2019-09-11	State Approved
 Dimensions in mm		autoform		Description OVERVIEW PLACEMENT FOR ROOF RAILS CALIX ROOF BOXES WITH QUICKGRIP 2		Scale 1:10
				Draw.no 00047027	Rev. D	Size A3
						Sheet 3/3