

Fig. 1 KL-0214-16



Fig. 2 Front-axle bracket



Fig. 3 Extracting the silentbloc (mounting the tool)

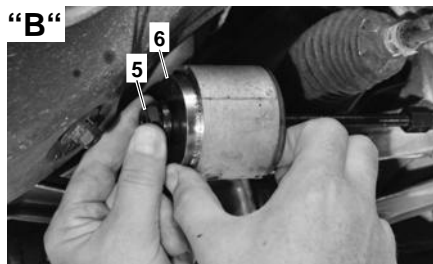
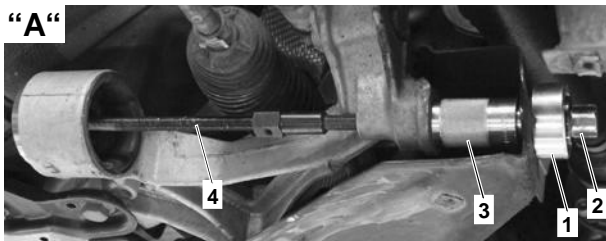


Fig. 4 Extracting the silentbloc



KL-0214-16 Pulling Device for Silentbloc with Mechanical Drive

Suitable for VW Polo (9N); Seat Ibiza IV, Cordoba (2002 onwards); Skoda Fabia, Roomster and Audi A2 front-axle bracket wishbone.

Field of Application

The pulling device **KL-0214-16** enables the quick and safe removal and installation of silentblocs in the bracket to be performed directly on the vehicle.

Advantages

- Tool is easy to use.
- Substantial time savings.

Technical Data

Weight.....2.8 kg

⚠ Warnings and Notes

- Only qualified personnel observing and complying with the directions, provisions, and safety regulations specified by the vehicle manufacturer should perform work on vehicle axles.
- Only the vehicle manufacturer's data apply to all work done on the vehicle.
- All specific vehicle data stated herein are supplied under reserve and without commitment.
- Before use, lubricate spindle with molybdenum disulphide paste **KL-0014-0030**.

Application

Extracting the silentbloc:

1. Lift the vehicle and loosen and/or remove all necessary components.
2. Mount the tool as shown in **fig. 3 A and B**.
3. Extract the silentbloc by turning the pull spindle (**Fig. 4**).

Note: Clean the silentbloc mounting bore hole and lubricate it with the specified fitting lubricant.

Fig. 5 Inserting the silentbloc (mounting the tool)

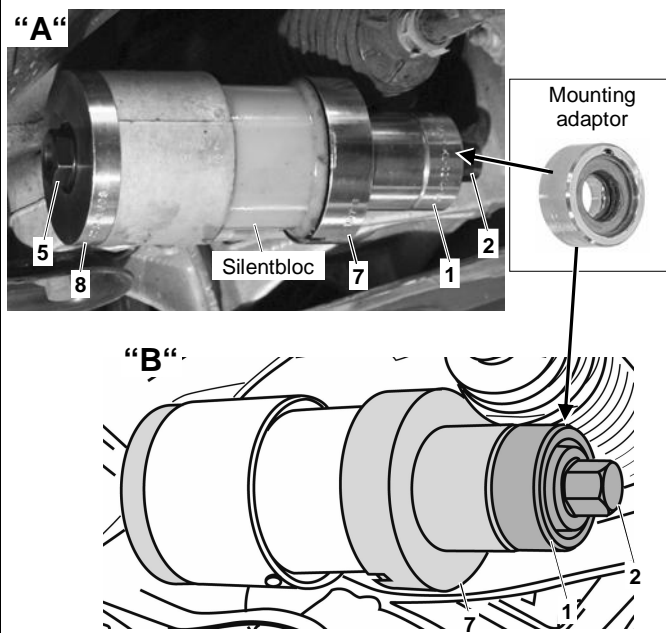


Fig. 6 Observe position

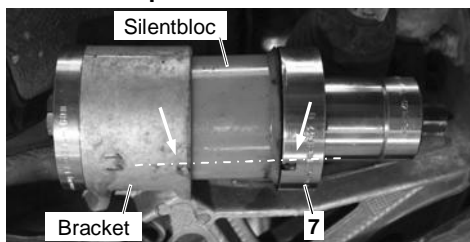
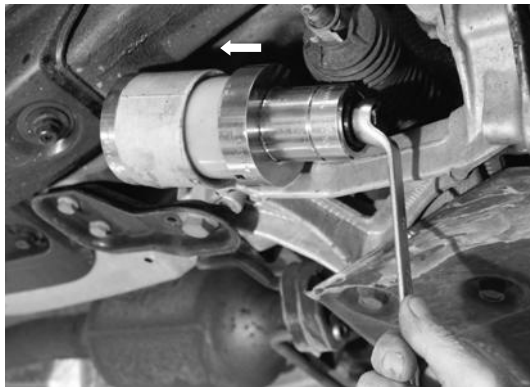
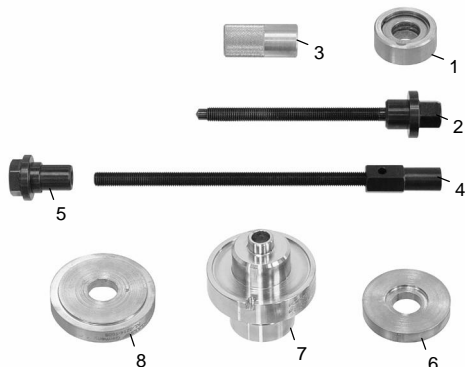


Fig. 7 Inserting the silentbloc



Scope of delivery: KL-0214-16



Inserting the silentbloc:

1. Install the tool together with the new silentbloc on the bracket as shown in **fig. 5 A and B**.
Note: The mounting adaptor **Pos. 1** has to be installed between press piece **Pos. 7** and pull spindle **Pos. 2**.
2. The milled recess in the press piece **Pos. 7** must be in true alignment with the marking on the bracket (see arrows **Fig. 6**).
Note: The marking can also be on the top side of the bracket.
3. Insert the silentbloc by turning the pull spindle (**Fig. 7**).
4. Remove the tool, check the position of the silentbloc and reassemble the vehicle according to the manufacturer's directions.

Scope of Delivery

Pos.	Part No.	Description	Qty.
	KL-0214-16	Pulling Device for Silentbloc, mechanical drive	1
<i>consists of:</i>			
1	KL-0214-1601	Mounting adaptor for mechanical spindle	1
2	KL-0214-1602	Pull spindle M10 x 1.25	1
3	KL-0214-1603	Spacer	1
4	KL-0214-1604	Pull spindle extension M10 x 1.25	1
5	KL-0214-1605	Shoulder nut M10 x 1.25	1
6	KL-0214-1606	Press piece (removal)	1
7	KL-0214-1607	Press piece (installation)	1
8	KL-0214-1608	Centring ring	1