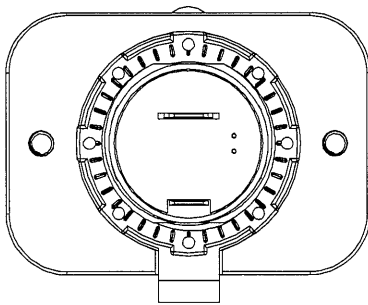
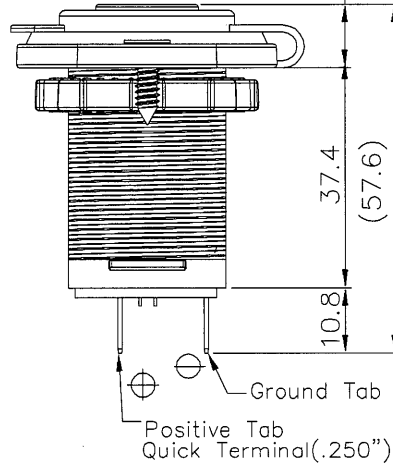
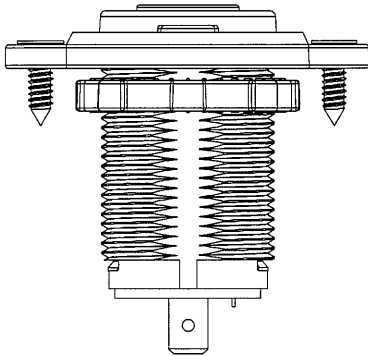
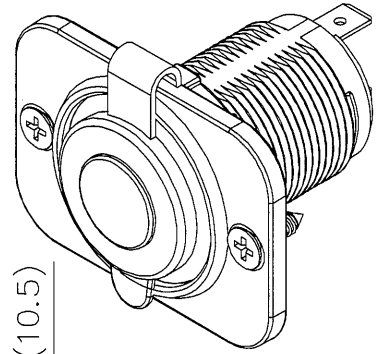
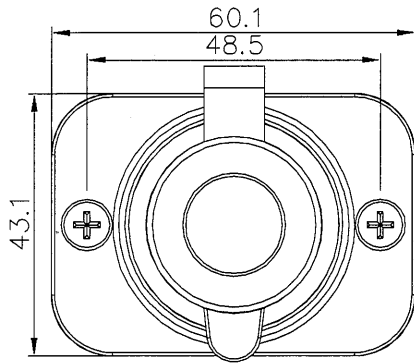


Rating	12/24VDC 20A max	
Insulation Resistance	DC 500V 100M ohm Min	
Dielectric Strength	AC 1500V 1minute	
Operation Temperature	-20°C~85°C	



- Description:
- \* Water proof sealing cap
  - \* SeaLink locking system
  - \* Easy to install using an optional mounting plate for front panel installation, or the locking ring for rear access installation
  - \* Compatible with standard CLA plugs
  - \* LED indicator

\*.Tolerance is  $\pm 0.2$  unless otherwise noted

							△
Date	Name	Descriptions					NO
Draw	Check	Approval	SCI BOM No.		Model Name	SeaLink CLA Socket	
許庭禎			Customer No.		Model No.	A13-142EPS-BB3	REV.
09/12/'12		9/11/12	Unit	mm	Shin Chin Industrial Co., Ltd.		0