



Air hydraulic trolley jack K 21270



INSTRUCTIONS FOR USE

IMPORTANT

Read these instructions carefully and store this manual in a place where you can easily find it as you may need to use it again. This jack has been designed to elevate heavier cars and trucks. Any other use beyond the conditions established for use of this jack, are considered to be inappropriate. Please handle the jack correctly and ensure that it is in good condition prior to use and that no parts are missing. Only authorized persons that have read and understood these instructions should operate the jack. Do not modify the jack in any way. Non-compliance with these instructions may result in injury or damage to the user, the jack or the vehicle to be lifted. The manufacturer accepts no responsibility for improper use of the jack.

SAFETY INSTRUCTIONS

- 1 The vehicle to be lifted shall never exceed the rated capacity of the jack.
- 2 The maximum stroke of the jack indicated on the label shall never be exceeded.
- 3 The jack should be placed on a solid, level and horizontal surface which is well illuminated and free from obstructions. Never place the jack on a surface which may sink.
- 4 Ensure that there are no persons inside the vehicle to be lifted. Switch off the engine and apply the brake. Ensure that the vehicle to be lifted can not slide in any direction. Do not enter the vehicle or start the engine whilst it is supported on appropriate jack stands. The jack is a lifting device only and should never be used to move a vehicle.
- 5 The air supply hose should not be worn and connections should be in good condition. Keep the hose clean and away from heat, dirty areas or sharp edges and do not bend it. Don't pull the hose to remove the jack.
- 6 Position the jack under the manufacturers recommended lifting point for the vehicle and ensure that it is not corroded, dirty or greasy. The lifting point should remain centered over the jack saddle, all off-centered loads can slip and may result in accidents.
- 7 During raising and lowering of the load, all precautions should be taken to avoid movement of the vehicle load. Traffic may cause the raised vehicle to rock during roadside use of the jack.

- 8 The jack should be positioned so as to avoid the need for the user to place any part of his/ her body underneath the vehicle. Never work under a raised vehicle without supporting it with jack stands or other appropriate methods. Never position any part of your body near the movable parts of the jack.
- 9 It is necessary for the operator to be able to observe the lifting device and the load during all movements. In the presence of dangerous conditions such as movement of the vehicle etc, the lifting process must be discontinued.
- 10 The jack is a lifting device and should never be used to support or move the vehicle. To perform any operation underneath the vehicle, first support it using appropriate jack stands. Check that the wheels rotate freely.
- 11 Use only the manufacturers extensions. Never use more than one extension at a time. Saddle C must be placed direct on the jack piston, never on the extension (fig.9).
- 12 Disconnect the air supply hose from the connector located in the handle once the operation is completed and prior to carrying out any maintenance work.
- 13 As an additional safety measure against overload, the jack is fitted with an overload valve set at the factory which should under no circumstances be adjusted. If nominal capacity of the jack is exceeded, the overload valve will stop the lifting operation.
- 14 Ensure that there are no persons or obstructions underneath the vehicle prior to lowering.

USE AND OPERATION

Prior to operate the jack, a small assembly operation is required:

- 1 Start by removing the upper cover, placing the jack handle in position (4, fig.5) and secure the bolt (26) and it's washer (27) which are included in a kit (fig.6). Replace the cover.
- 2 The handle has four positions (fig. 5): Foldable for transportation and packaging (1), out of operation (2), movement (3) and in operation (4). Each position is achieved by disengaging the trigger lever (1,fig.7). The purpose of the handle is to position the jack or simplify it's movement. Do not exert any pressure on the handle.
- 3 Should the jack need to be packed for transportation, remove the screw (26) and washer (27) and move the handle to position 1 (fig.5).
- 4 It is essential that an air filter lubricator is installed (fig.2) which is drained daily
- 5 Drain the compressor daily. Poor air quality damages essential parts for a proper operation of the jack.
- 6 Prior to connecting the air supply hose to the connection on the handle (3) it is necessary to check that the control lever (2) is in the OFF position (Fig.7). The air hose should not have a section inferior to that of the air connector (3). If unusually long hoses are used, the air pressure should be increased.
- 7 Ensure that the same air pressure is going to be maintained during operation. Optimum performance of this jack is obtained with a pressure of 7–10 kg/cm² and a minimum air flow of 280 l/min.
- 8 A final operation to be performed prior to using the jack is the elimination of any air that may have entered the hydraulic system during transportation.
With the air hose connected, push the control lever (2, fig7) towards the DOWN position, holding it there for some seconds.
Move the control lever to the UP position to complete a load free lifting cycle. Now move the lever (2) to the DOWN position to retract the pistons and hence check that the lowering action is performed steadily without any jerking movements. If the lowering action is unsteady, repeat the cycle until the lowering of the pistons performed in a steady and uniform way. This shows that the draining operation has been successfully completed.
- 9 Now the jack is ready for operation.

Fig. 2

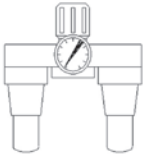


Fig. 4

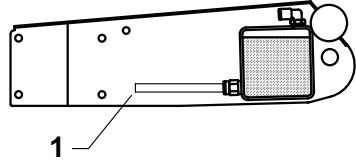


Fig. 5

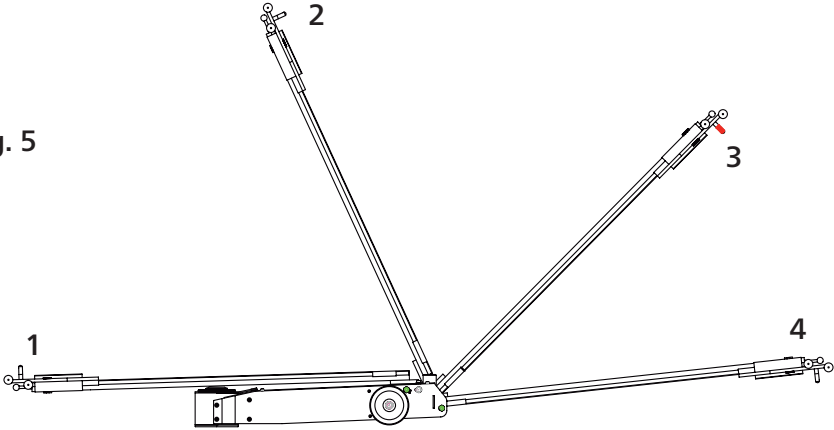


Fig. 6

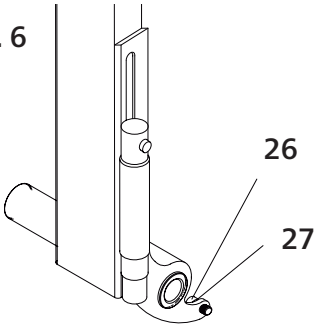


Fig. 8

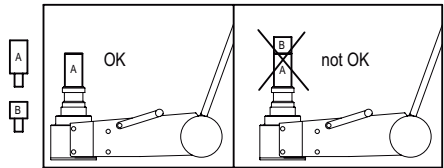


Fig. 7

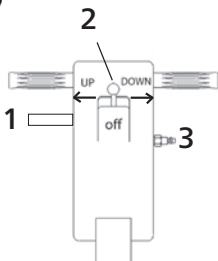
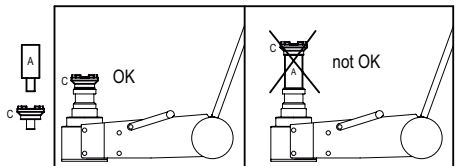


Fig. 9



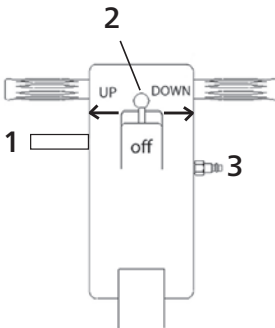
LIFTING

- 1 Position the jack under the lifting point of the vehicle and following the safety instructions described, the lifting operation is performed by moving the lever control (2, fig.7) to the UP position and holding it there until the vehicle has been lifted to the desired height. Immediately place the jack stands or another appropriate support method to support the vehicle.

LOWERING

- 2 Check that there are no obstacles or people underneath the vehicle. Once the operation is completed, remove the jack stands by lifting the vehicle slightly in order to simplify their removal. Lowering is performed by moving the handle (2, fig.7) to the DOWN position and maintaining it until the operation is completed. To avoid sudden lowering operations, the jack is fitted with a system which automatically regulates and controls the lowering operation (L.C.S.)
- 3 Proceed to retract the pistons by pushing and holding the handle (2, fig.7) in the DOWN position until they are fully retracted.
- 4 If the jack is not going to be in use, close the air supply and disconnect the air hose.
- 5 After each use, check the components of the jack. If any anomaly is detected, rectify it.

Fig. 7

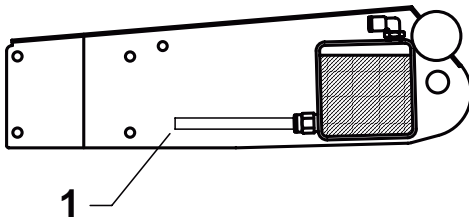


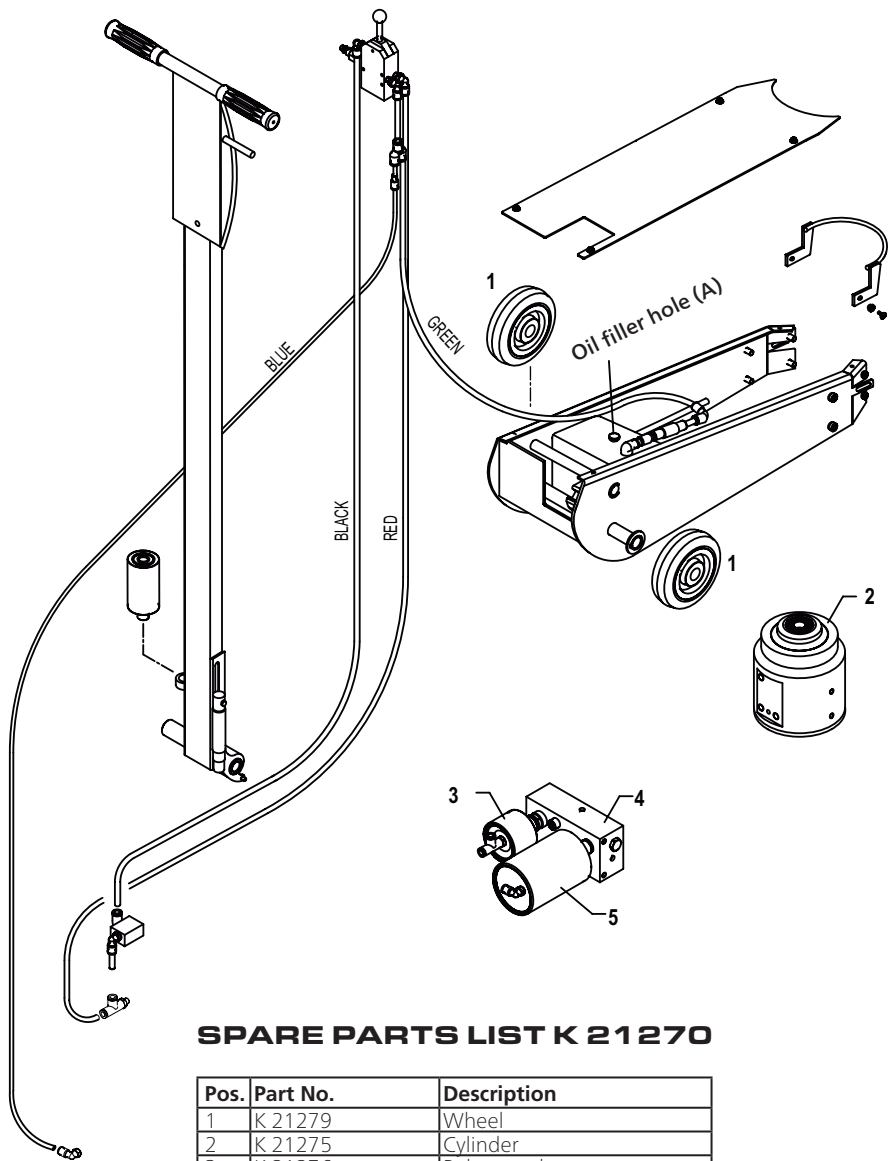
MAINTENANCE

Important: Both the maintenance and the repair of the jack should only be performed by qualified and authorized personnel.

- 1 Before performing any maintenance operation, disconnect the air supply hose from the connection on the handle (3, fig.7).
- 2 Clean and lubricate the moving parts of the jack at regular intervals and insert a small amount of lubricant in the air inlet connection. The whole jack should be kept clean and protected from aggressive conditions at all times.
- 3 **Oil level.** The pistons should be fully retracted prior to proceeding to check or refill the oil level. The oil level is correct when it is between the two marks on the stick on the oil filler hole screw (A). Refill as requested or if oil tank is emptied, fill one liter.
- 4 If all oil needs to be replaced, position the jack between two supports so that the connecting tube (1, fig4) can be removed so that the oil can flow out and be collected in a container which will be handed over to an authorized agent. It is also possible to remove the oil using a pneumatic oil extractor.
- 5 **Important.** An excess of oil may affect the operation of the jack.
- 6 Only use hydraulic oil HL or HM type with an ISO grade of cinematic viscosity of 20cSt at 40°C or of an Engler viscosity of 2 at 50°C.
- 7 **Extremely important:** Never use brake fluid. Always use original parts. The use of non original components may damage the jack and will invalidate the guarantee.
- 8 Whenever the jack is not in use, the lifting pistons should be fully retracted to reduce the risk of corrosion.

Fig. 4





SPARE PARTS LIST K 21270

Pos.	Part No.	Description
1	K 21279	Wheel
2	K 21275	Cylinder
3	K 21276	Release valve
4	K 21277	Valve housing
5	K 21278	Pneumatic motor



Kamasa Tools is a registered trademark of KG Knutsson AB, 191 81 Sollentuna, Sweden
CE declaration for this product is available as a file on www.kamasatools.com

K 21270

www.kamasatools.com