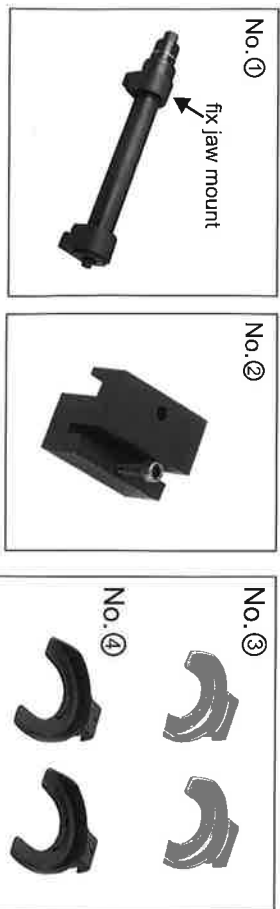


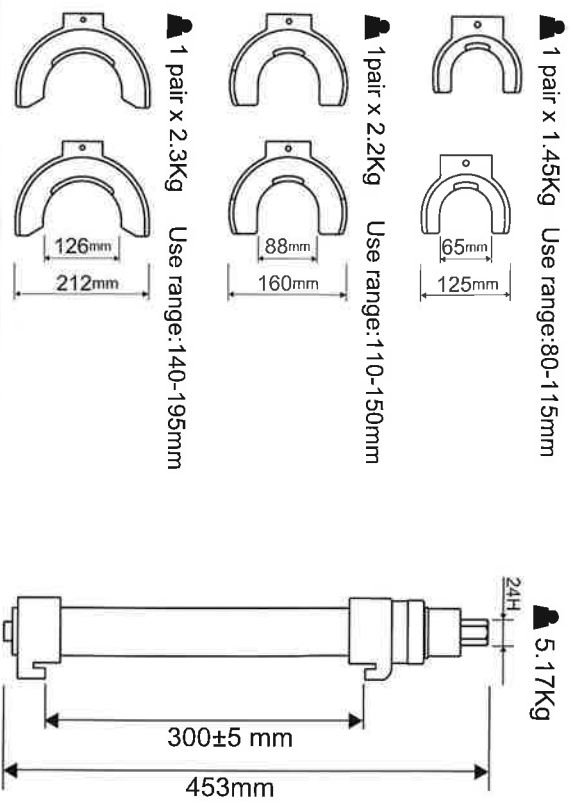
Max Load:10 200 N

1. Contents & Application

- 1 main body (see No. ①)
 - 1 extended bracket (see No. ②)
 - 3 pairs jaws (see No. ③④⑤)
-  BMW, TOYOTA, FORD, MITSUBISHI, VW, AUDI, SAAB, NISSAN, HONDA
 ACCORD, SUBARU, VOLVO, OPEL, PORSCHE

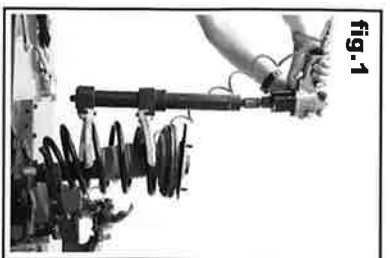


2. Technical Data



3. Instruction

- Step 1: Choose an suitable a pair of jaws.
 - Step 2: Screw and fasten the jaws on fix jaw mount.
 - Step 3: Using an air impact to press the coil springs.
- ※Remove the tool: **Simply loosen the tool and release coil springs.** (see fig. 1)

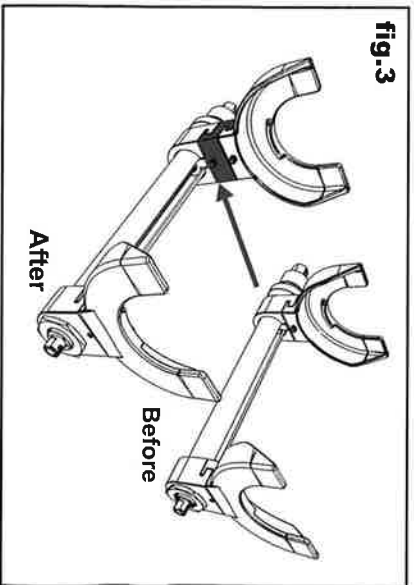
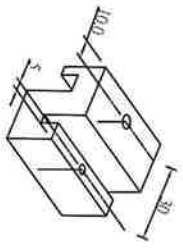


4. How to use the extended bracket

Instruction:

- Step 1: Take the **extended bracket** provided if necessary. (fig. 2)
- Step 2: Insert and screw it on **fix jaw mount**. (fig. 3)

▲ 0.6Kg (fig. 2)



When A=B doesn't need to use the extended bracket. (see fig. 4)
 When C>D needs to use the extended bracket. (see fig. 5)

