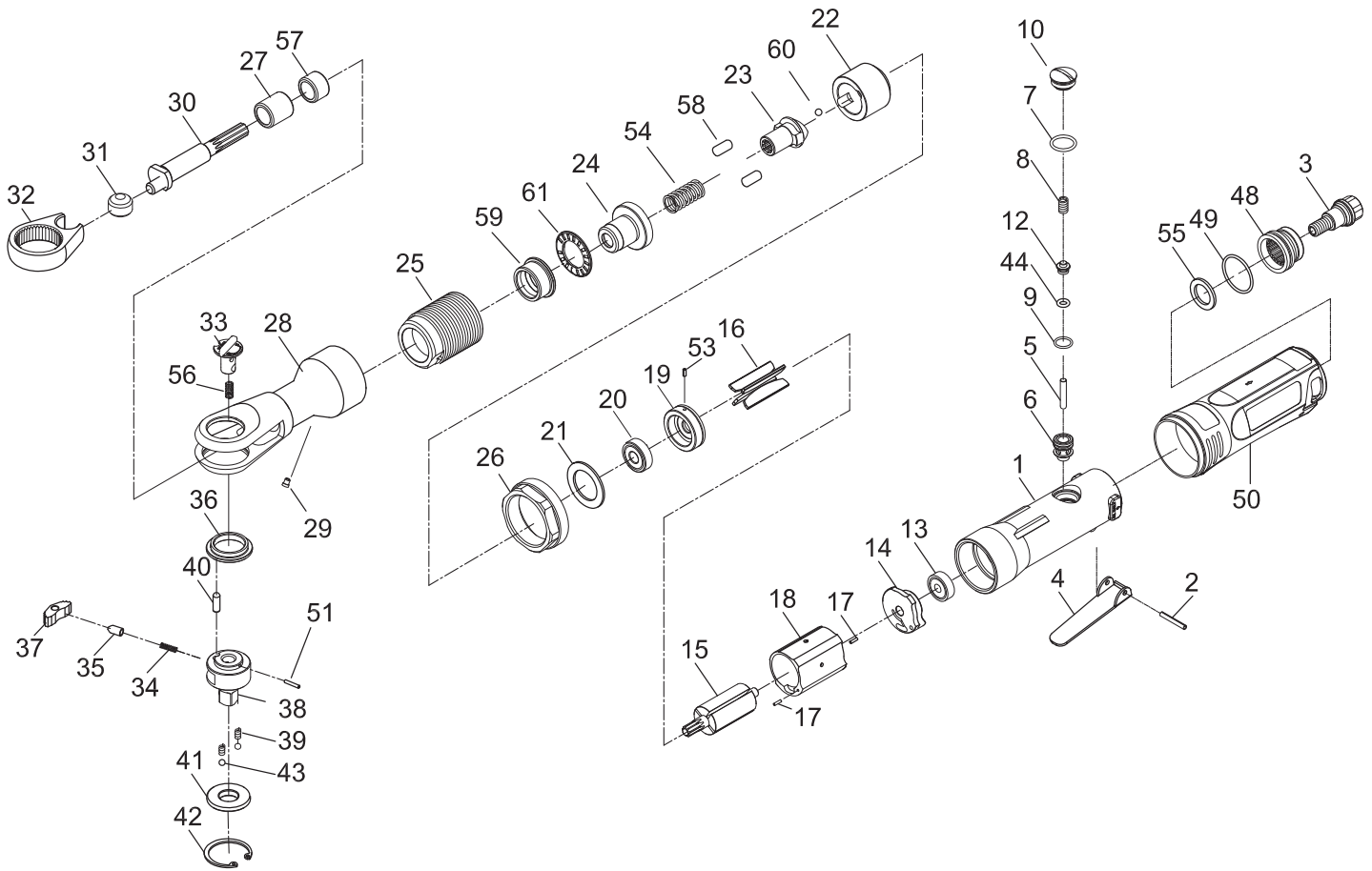


1/2" Reactionless ratchet wrench

K 9880



K 9881 Engine repair kit: Pos 7, 8, 9, 16, 44, 49

K 9882 Gearing repair kit: Pos 32, 33, 35, 36, 37, 38, 39, 40, 41, 42, 43

K 9883 Impact mechanism: Pos 22, 23, 24, 54, 58, 59, 60, 61

K 9884 Air inlet kit: Pos 3, 48, 49, 55

KR 9808-3 Throttle set: Pos 2, 4, 5

Pos.	Parts No.	Description
1		Motor housing
2	KR 9808-3	Spring pin
3	K 9884	Air inlet
4	KR 9808-3	Throttle lever
5	KR 9808-3	Throttle shaft
6		Bushing
7	K 9881	O-ring
8	K 9881	Spring
9	K 9881	O-ring
10		Valve plug
12		Throttle valve
13		Ball bearing
14		Rear end plate
15		Rotor
16	K 9881	Rotor blade (4 pcs.)
17		Spring pin
18		Cylinder
19		Front end plate
20		Ball bearing
21		Washer
22	K 9883	Mechanism housing
23	K 9883	Mechanism anvil
24	K 9883	Mechanism cover
25		Coupling sleeve
26		Coupling nut
27		Bushing
28		Ratchet housing
29		Oil cap

Pos.	Parts No.	Description
30		Crank shaft
31		Drive bushing
32	K 9882	Yoke
33	K 9882	Reverse button
34		Spring
35	K 9882	Lock pin
36	K 9882	Washer
37	K 9882	Ratchet pawl
38	K 9882	Ratchet anvil 1/2"
39	K 9882	Spring (2 pcs.)
40	K 9882	Pin
41	K 9882	Thrust washer
42	K 9882	Retainer ring
43	K 9882	Steel ball (2 pcs.)
44	K 9881	O-ring
48	K 9884	Deflector
49	K 9881, K 9884	O-ring
50		Grip
51		Pin
53		Spring pin
54	K 9883	Spring
55	K 9884	Damping material
56		Spring
57		Needle bearing
58	K 9883	Pin
59	K 9883	Bushing
60	K 9883	Steel ball
61	K 9883	Thrust bearing