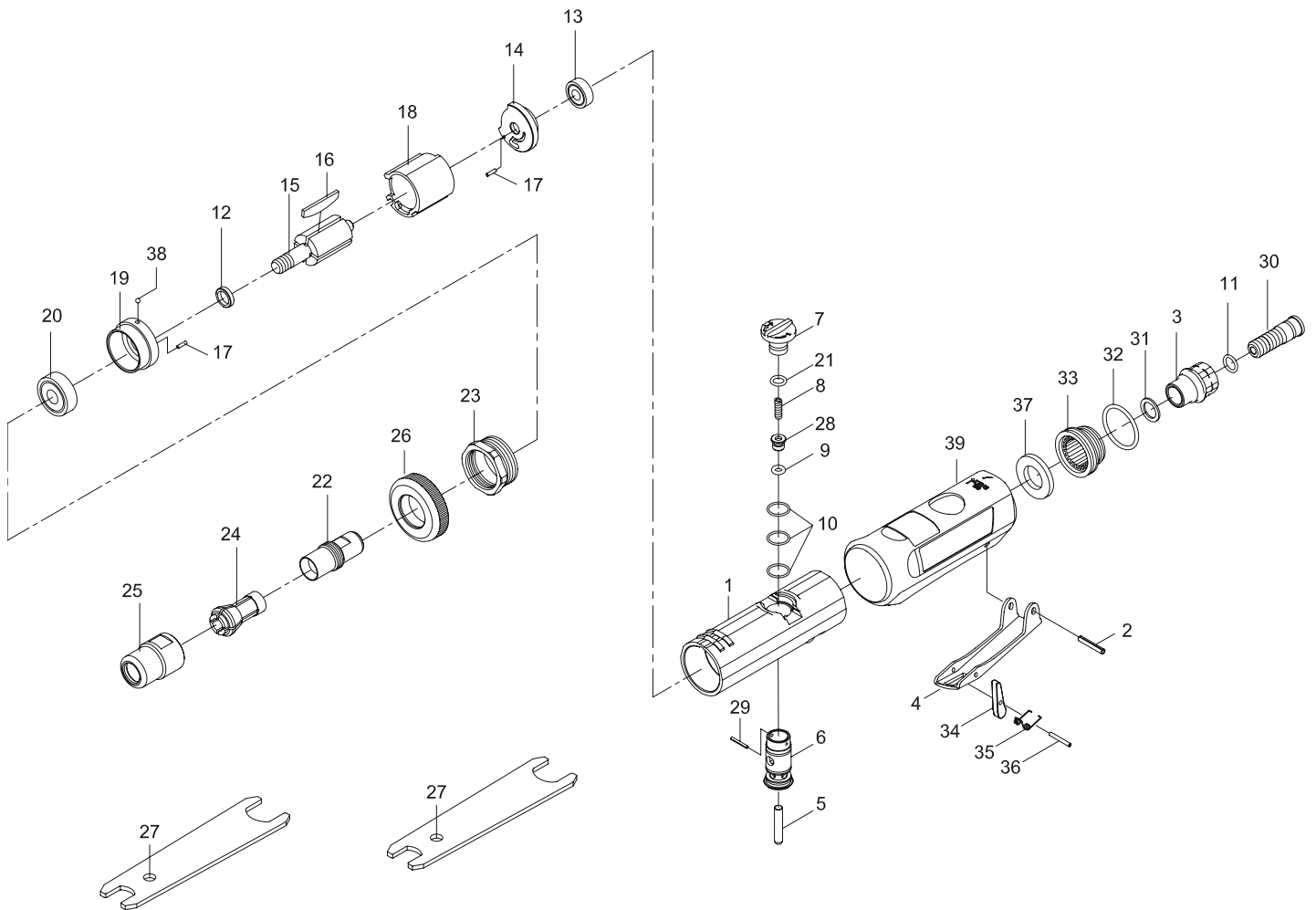


# Die grinder, straight

K 9810



**KR 9810-1** Engine repair kit: Pos 8, 9, 10, 11, 16, 21, 28, 32

**KR 9810-2** Gearing repair kit: Pos 20, 25, 32

**KR 9810-3** Throttle set: Pos 2, 4, 5, 34, 35, 36

**KR 9810-4** Air inlet kit: Pos 3, 11, 30, 31, 32, 33, 37

Pos.	Parts No.	Description
1		Motor housing
2	KR 9810-3	Lever pin
3	KR 9810-4	Air inlet
4	KR 9810-3	Throttle lever
5	KR 9810-3	Valve shaft
6		Valve
7		Knob
8	KR 9810-1	Spring
9	KR 9810-1	O-ring
10	KR 9810-1	O-ring (3 pcs.)
11	KR 9810-1, KR 9810-4	O-ring
12		Rotor spacer
13		Ball bearing
14		Rear end plate
15		Rotor
16	KR 9810-1	Vane (4 pcs.)
17		Spring pin (2 pcs.)
18		Cylinder
19		Front end plate
20	KR 9810-2	Ball bearing

Pos.	Parts No.	Description
21	KR 9810-1	O-ring
22		Spindle
23		Front coupling
24		Collet
25	KR 9810-2	Collet nut
26		Front cap
27		Spanner (2 pcs.)
28	KR 9810-1	Throttle valve
29		Spring pin
30	KR 9810-4	Fixed shaft
31	KR 9810-4	Washer
32	KR 9810-1, KR 9810-2, KR 9810-4	O-ring
33	KR 9810-4	Deflector
34	KR 9810-3	Safety bar
35	KR 9810-3	Spring
36	KR 9810-3	Spring pin
37	KR 9810-4	Damping material
38		Steel ball
39		grip