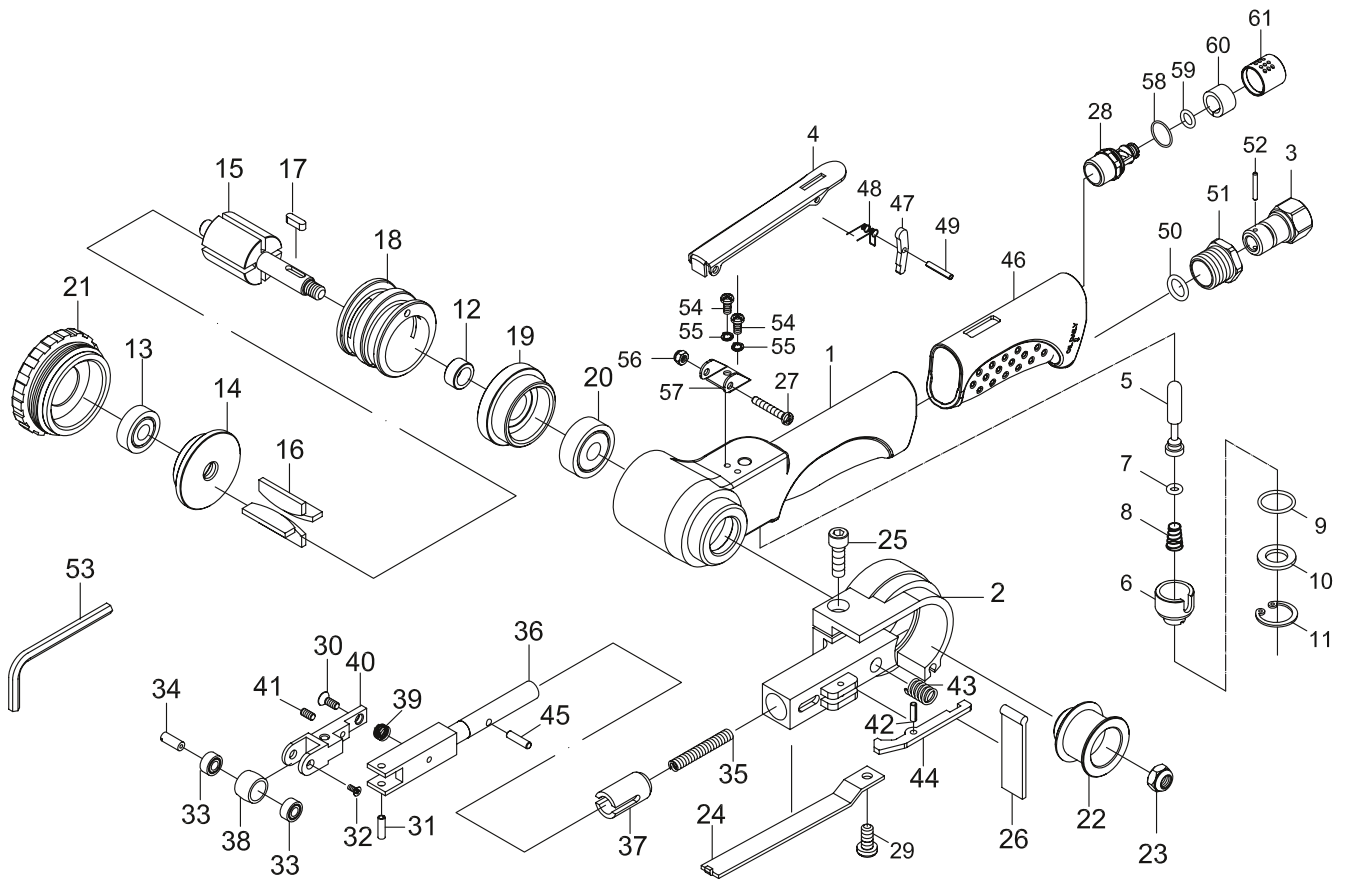


Belt sander

K 9817



KR 9817-1 Engine repair kit: Pos 5, 7, 8, 9, 16, 50

KR 9817-2 Gearing repair kit: Pos 33, 34, 38, 40

KR 9817-3 Throttle set: Pos 4, 47, 48, 49

KR 9817-4 Air inlet kit: Pos 3, 50, 51, 52

Pos.	Parts No.	Description
1		Motor housing
2		Guard
3	KR 9817-4	Air inlet
4	KR 9817-3	Throttle lever
5	KR 9817-1	Valve stem
6		Valve
7	KR 9817-1	O-ring
8	KR 9817-1	Spring
9	KR 9817-1	O-ring
10		Spacer
11		Retaining ring
12		Spacer
13		Ball bearing
14		Rear end plate
15		Rotor
16	KR 9817-1	Rotor blade (4 pcs.)
17		Key
18		Cylinder
19		Front end plate
20		Ball bearing
21		Cap
22		Drive pulley
23		Hexagon nut
24		Shoe
25		Bolt
26		Dust cover
27		Screw
28		Exhaust shaft
29		Screw
30		Screw
31		Spring pin

Pos.	Parts No.	Description
32		Screw
33	KR 9817-2	Ball bearing (2 pcs.)
34	KR 9817-2	Idle pulley shaft
35		Spring
36		Tension bar
37		Bushing
38	KR 9817-2	Idle pulley
39		Spring
40	KR 9817-2	Bracket
41		Screw
42		Spring pin
43		Spring
44		Safety lever
45		Lock pin
46		Grip
47	KR 9817-3	Safety bar
48	KR 9817-3	Spring
49	KR 9817-3	Spring pin
50	KR 9817-1, KR 9817-4	O-ring
51	KR 9817-4	Screw
52	KR 9817-4	Pin
53		Hex. key wrench
54		Screw (2 pcs.)
55		Spring washer (2 pcs.)
56		Nut
57		Lever support
58		O-ring
59		O-ring
60		Mullfer
61		Exhaust sleeve