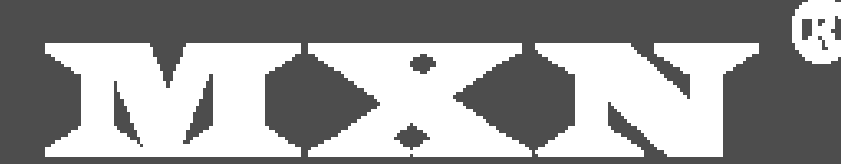


# Mini Color Camera

MODEL : MXN26C



## Instruction Manual

### ◆ Features

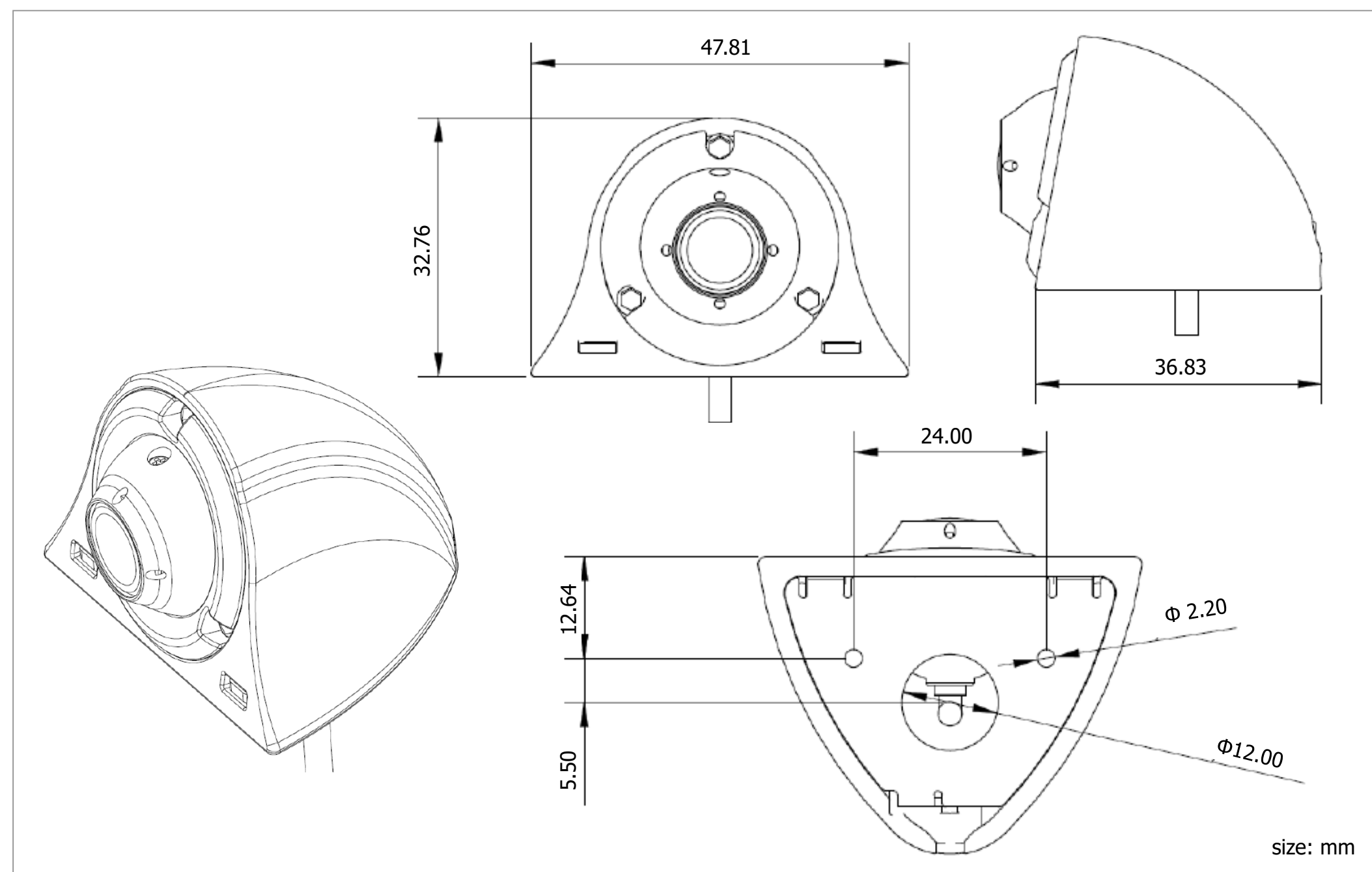
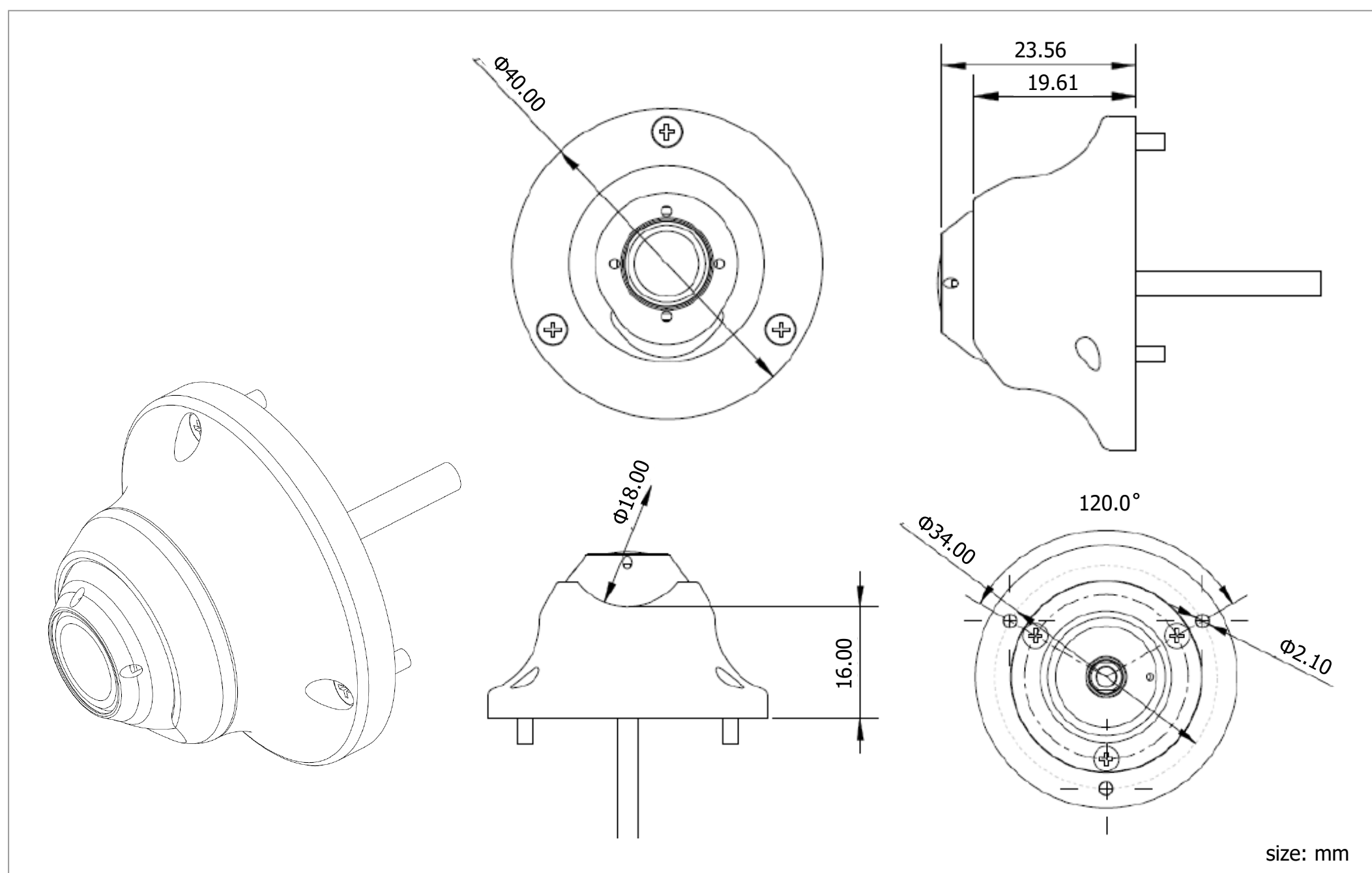


- High resolution 1/3.2" Color Digital CMOS Camera
- Compact & Smart Design
- Easy adjustable in any viewing direction
- IP69K Waterproof Rating
- Diagonal 140° viewing
- Mirror / Normal Image function
- Built-in Microphone
- Low-illumination
- Low Power Consumption
- Multi-purpose
- 2 Bracket types included
- Small diameter waterproof connector,  $\Phi$  6mm
- Anti-corrosive coating
- Operating temperature  $-40^{\circ}\text{C} \sim +80^{\circ}\text{C}$
- Vibration resistant

### ◆ Technical Specifications

Image Sensor	1/3.2" Color Digital CMOS Image Sensor
Effective Pixels	PAL : 1.23Mega pixels
Resolution	750TV lines
Synchronizing System	Internal
S/N Ratio	More than 46dB
Minimum Illumination	0.5 Lux
Power Range	DC 6V ~ DC 18V
Power Consumption	DC 12V, 80mA (Max)
Operating Temp.	$-40^{\circ}\text{C}$ to $+80^{\circ}\text{C}$
Viewing Angle	140° (Diagonal), 110° (Horizontal), 85° (Vertical)
Video Output	1.0Vp-p Composite, 75 $\Omega$
Material	Aluminum Die-casting
Housing Color	Black
Dimension	Dome type 43( $\Phi$ ) X 25.5(h) mm Wall mount type 45.6(w) X 44.5(L) X 33.0(h)
Weight	Camera only 23.5g / Adapter cable 31g

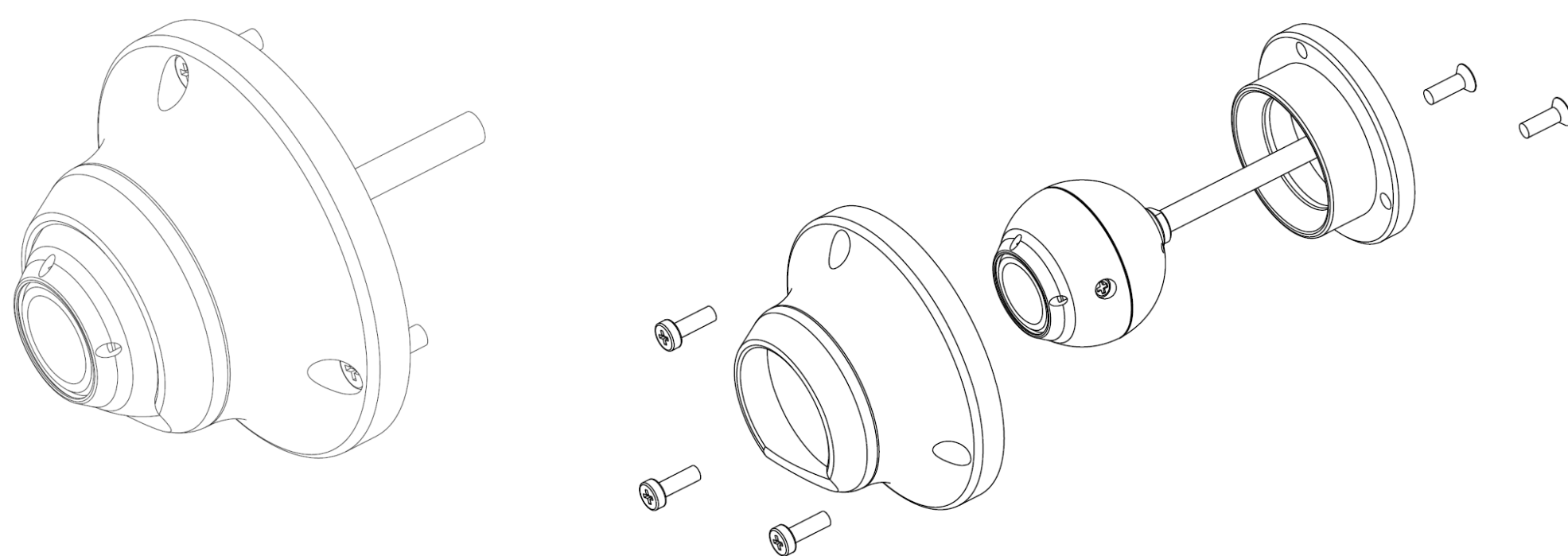
### ◆ Camera with 2 types Mounting bracket



### ◆ Installation

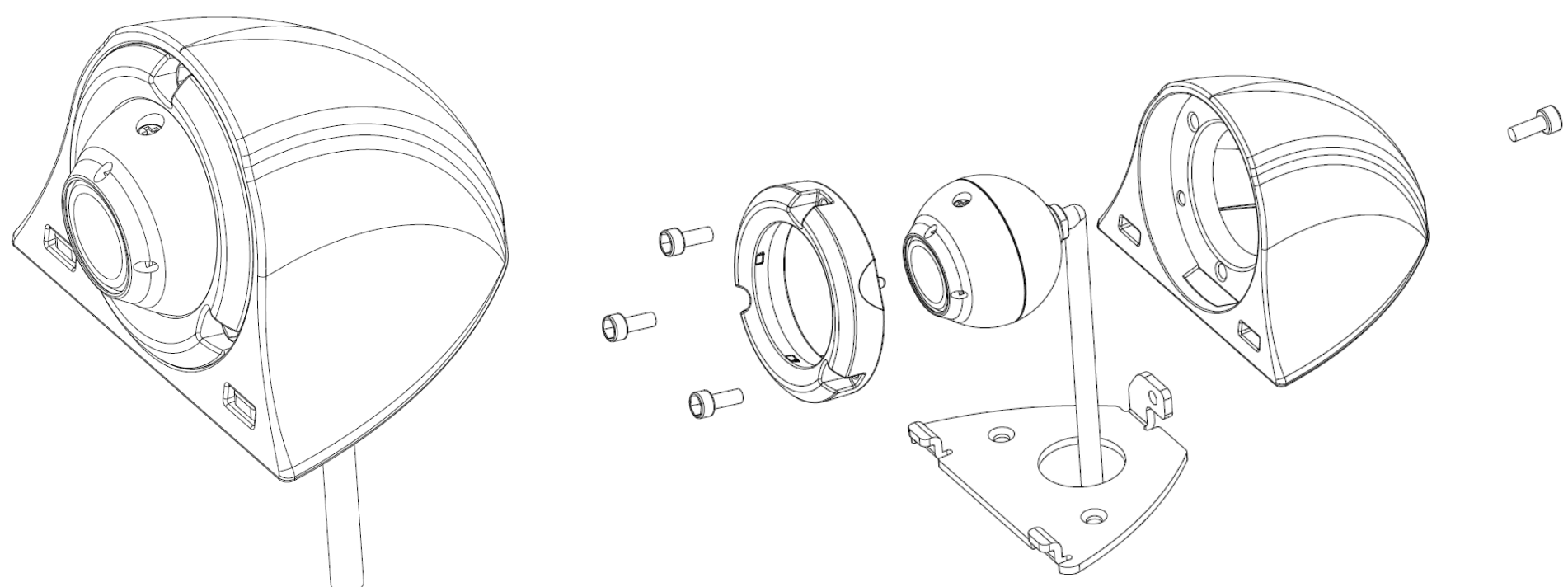
#### ■ Camera Assembly

1. Assemble the bracket with camera according following drawing:
2. Attach the supplied mounting bracket to the vehicle, adjust the viewing angle of the camera and fasten the screws firmly.

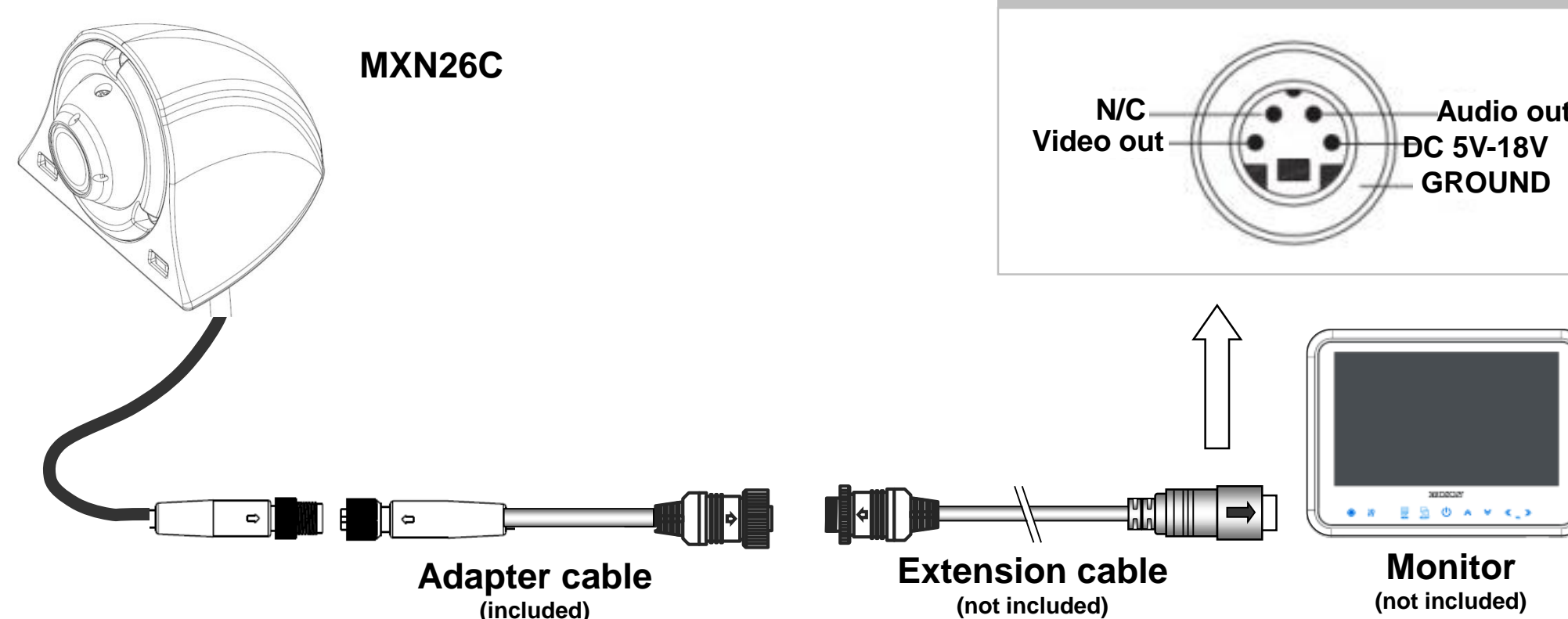


#### ■ Camera Assembly

1. Assemble the bracket with camera according following drawing:
2. Attach the supplied mounting bracket to the vehicle, adjust the viewing angle of the camera and fasten the screws firmly.



#### ■ Wiring to Monitor



#### ■ Normal / Mirror image

- Mirror / Normal image can be changed via the Green cable as below
- \* Green cable loop un-cut : MIRROR IMAGE
  - \* Green cable loop cut : NORMAL IMAGE

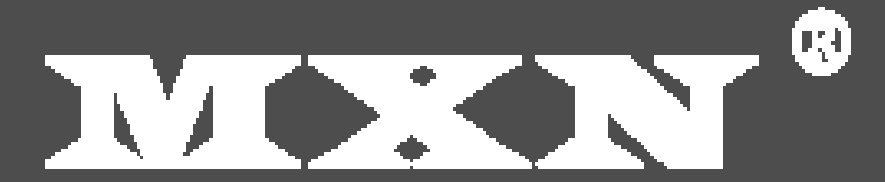
#### ■ Adjustment of the camera in the bracket

- The camera can be adjusted by using the U-shaped metal tool:
1. Insert the U-shaped metal tool into 2 from total 4 holes in camera.
  2. Adjust the camera carefully into the required image.
  3. Fasten the 3 screws to fixate the camera's viewing direction.



# Mini Color Camera

MODEL : MXN26CN



## Instruction Manual

### ◆ Features

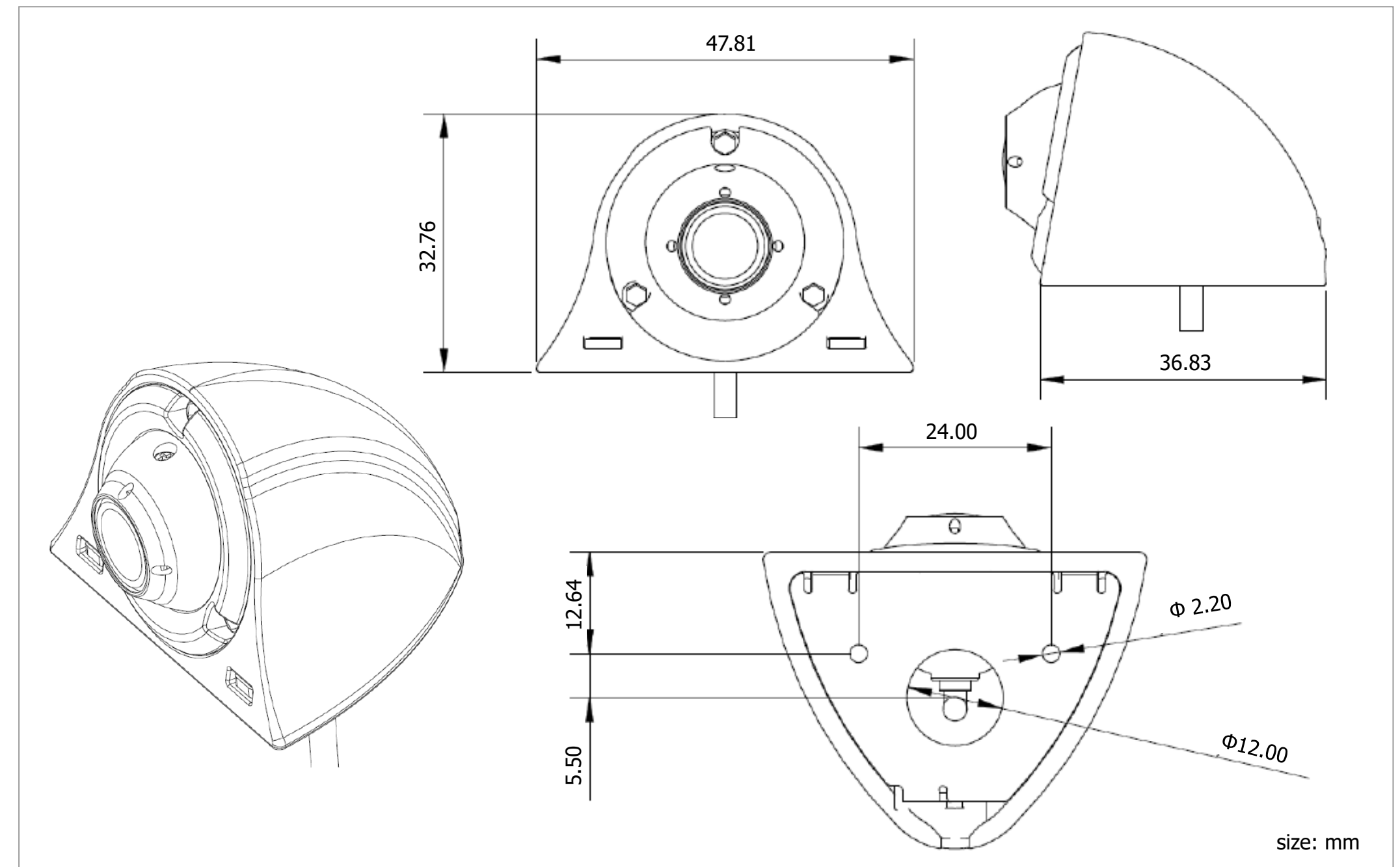
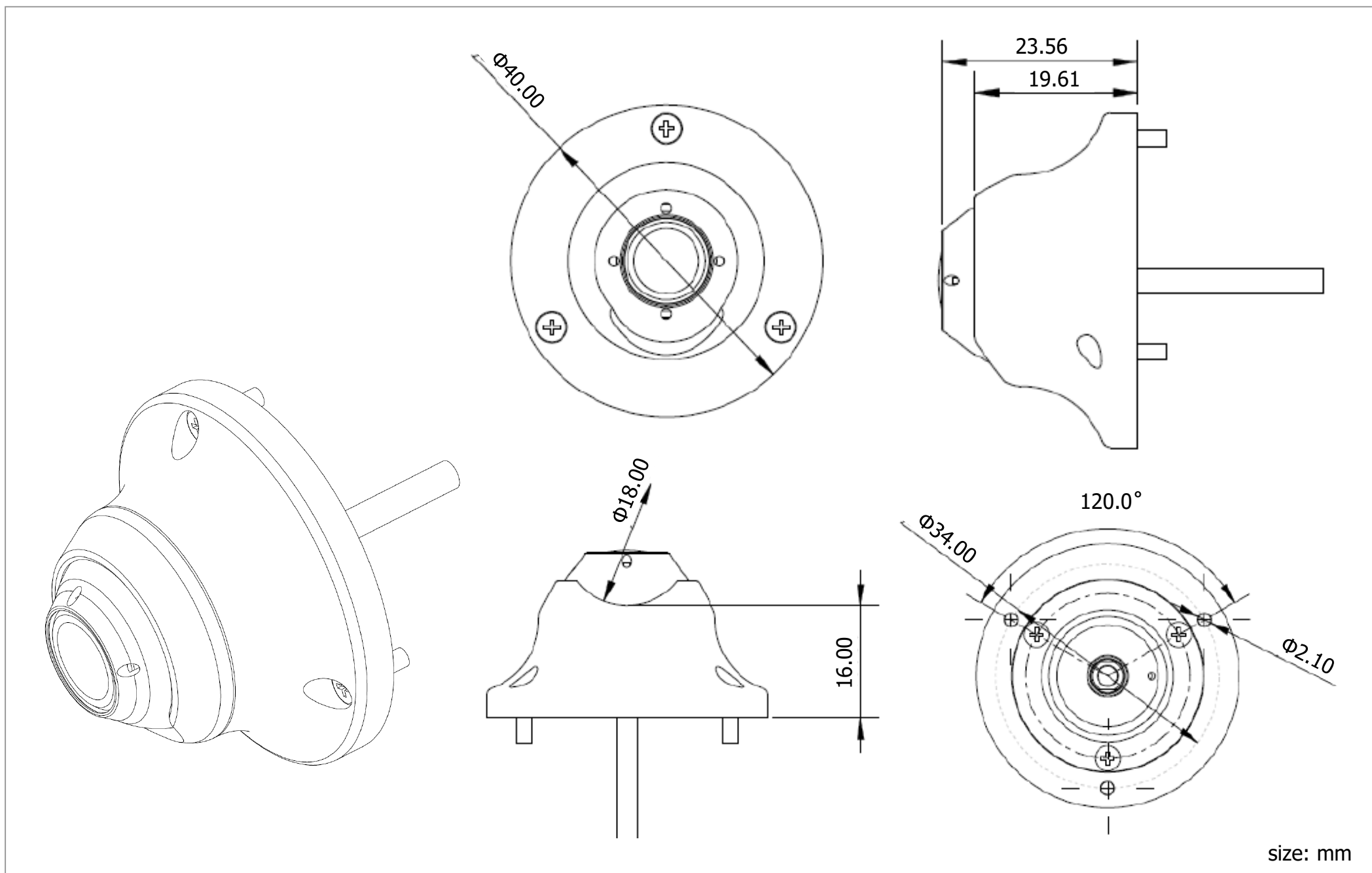


- High resolution 1/3.2" Color Digital CMOS Camera
- Compact & Smart Design
- Easy adjustable in any viewing direction
- IP69K Waterproof Rating
- Diagonal 140° viewing
- Mirror / Normal Image function
- Built-in Microphone
- Low-illumination
- Low Power Consumption
- Multi-purpose
- 2 Bracket types included
- Small diameter waterproof connector,  $\Phi$  6mm
- Anti-corrosive coating
- Operating temperature  $-40^{\circ}\text{C} \sim +80^{\circ}\text{C}$
- Vibration resistant

### ◆ Technical Specifications

Image Sensor	1/3.2" Color Digital CMOS Image Sensor
Effective Pixels	NTSC : 1.23Mega pixels
Resolution	750TV lines
Synchronizing System	Internal
S/N Ratio	More than 46dB
Minimum Illumination	0.5 Lux
Power Range	DC 6V ~ DC 18V
Power Consumption	DC 12V, 80mA (Max)
Operating Temp.	$-40^{\circ}\text{C}$ to $+80^{\circ}\text{C}$
Viewing Angle	140° (Diagonal), 110° (Horizontal), 85° (Vertical)
Video Output	1.0Vp-p Composite, 75 $\Omega$
Material	Aluminum Die-casting
Housing Color	Black
Dimension	Dome type 43( $\Phi$ ) X 25.5(h) mm Wall mount type 45.6(w) X 44.5(L) X 33.0(h)
Weight	Camera only 23.5g / Adapter cable 31g

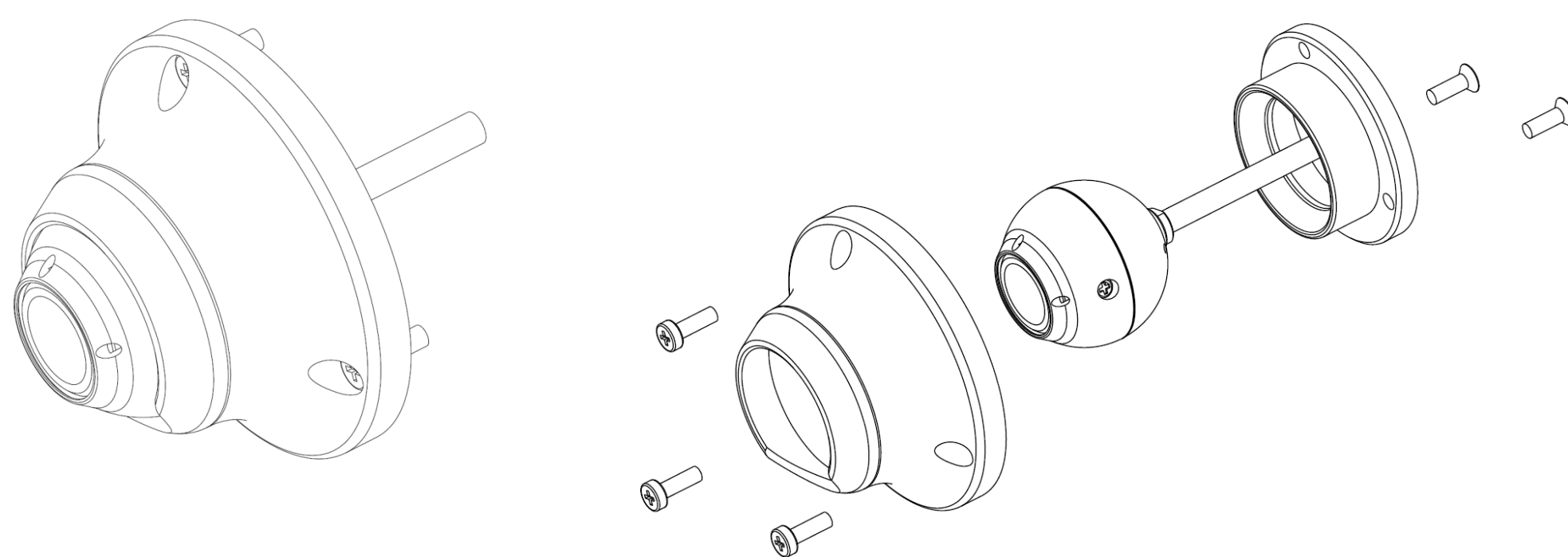
### ◆ Camera with 2 types Mounting bracket



### ◆ Installation

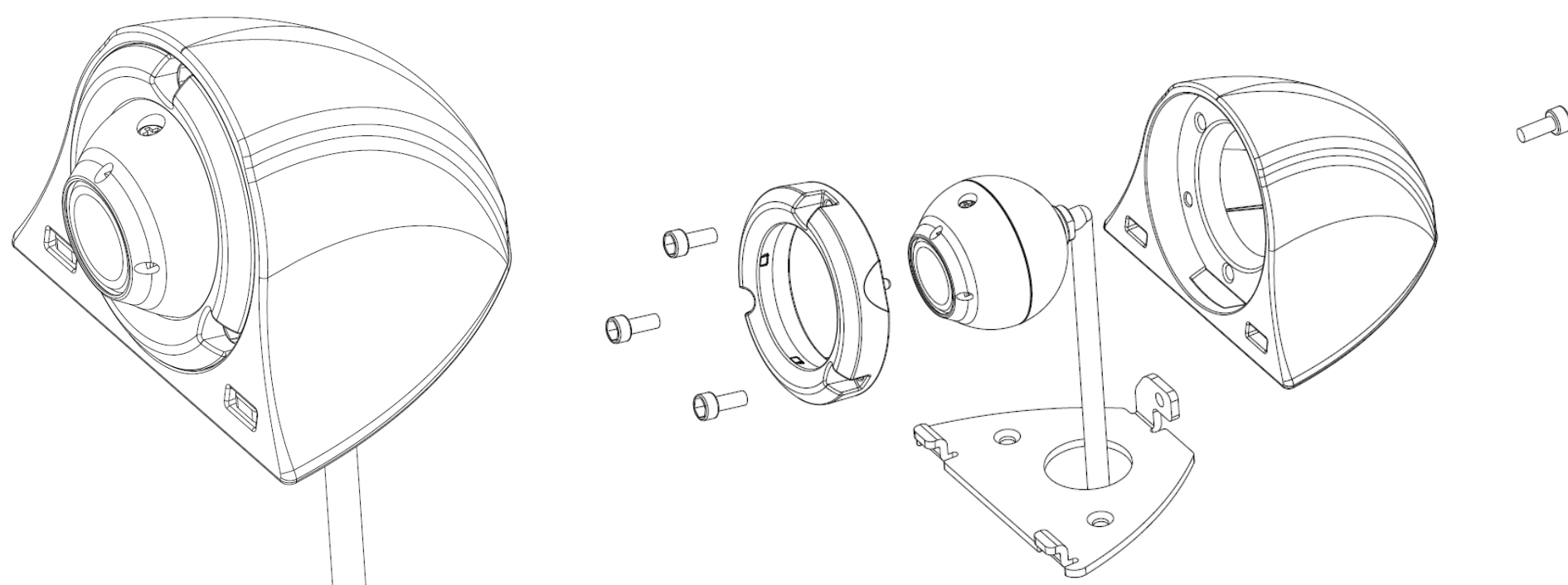
#### ■ Camera Assembly

1. Assemble the bracket with camera according following drawing:
2. Attach the supplied mounting bracket to the vehicle, adjust the viewing angle of the camera and fasten the screws firmly.

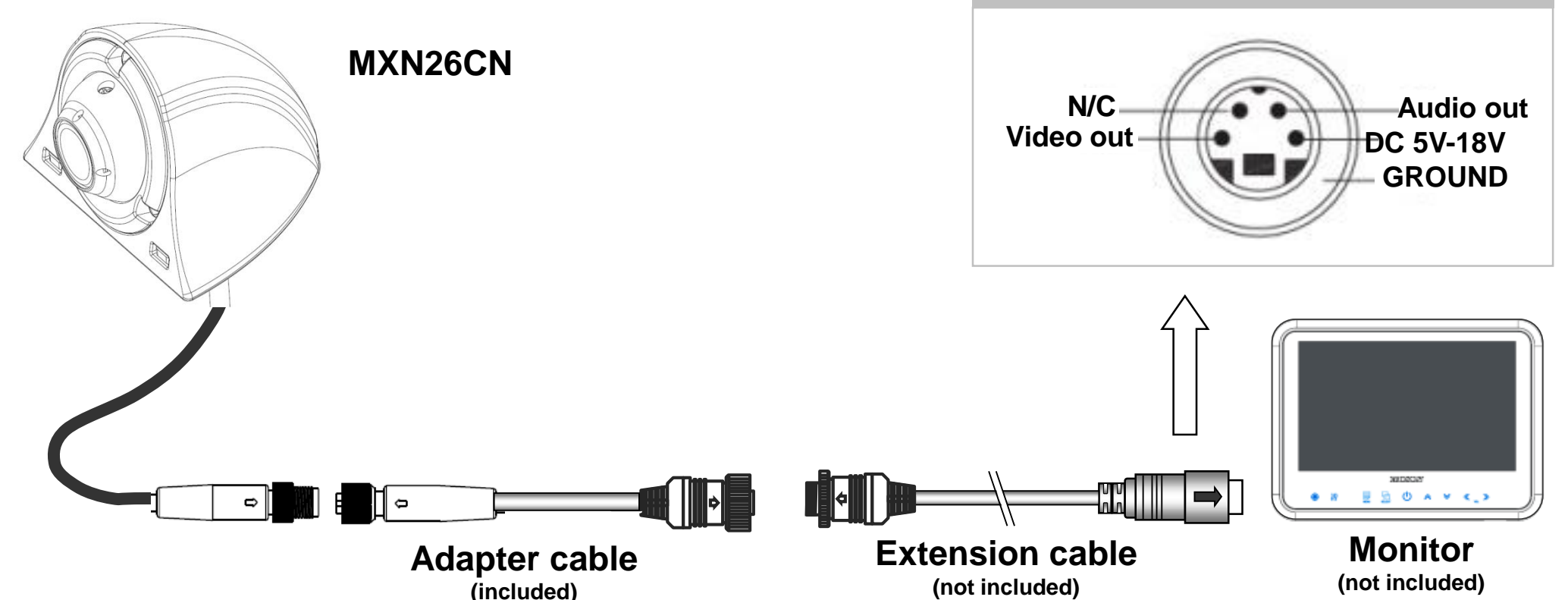


#### ■ Camera Assembly

1. Assemble the bracket with camera according following drawing:
2. Attach the supplied mounting bracket to the vehicle, adjust the viewing angle of the camera and fasten the screws firmly.



#### ■ Wiring to Monitor



#### ■ Normal / Mirror image

- Mirror / Normal image can be changed via the Green cable as below
- \* Green cable loop un-cut : MIRROR IMAGE
  - \* Green cable loop cut : NORMAL IMAGE

#### ■ Adjustment of the camera in the bracket

- The camera can be adjusted by using the U-shaped metal tool:
1. Insert the U-shaped metal tool into 2 from total 4 holes in camera.
  2. Adjust the camera carefully into the required image.
  3. Fasten the 3 screws to fixate the camera's viewing direction.