



Vehicle Administration Centre has, on the application of Oy Talmu Ab, located in Salo, by virtue of the Decree on Carrying into Effect the Agreement Concerning the Adoption of Uniform Conditions of Approval and Reciprocal Recognition of Approval for Motor Vehicle Equipment and Parts, § 2, decided to grant the ECE approval for the motor vehicle reversing lamp, model Talmu 14 1179-240, 14 1179-230 and Hella 2ZR 964 169-03 manufactured by the applicant, carrying approval number 2311 extension -, and complying with the ECE regulations No. 23/00 as specified in the enclosed Approval Certificate and Drawings No. 014024-00 and 014080-00.

The lamp devices marked with the approval number must correspond to the devices examined in tests on which this approval decision is based on. The approval can be cancelled if it is found that the lamp devices carrying the approval number do not comply with the requirements of ECE Regulations No. 23/00.

Helsinki, on the 24th of March 1998.

Head of Unit


Martti Lahti

Inspection Engineer

Ismo Ronkainen

Charge FIM 1000,-

Oy Talmu Ab
24100 Salo

AR
00

2311

COMMUNICATION

concerning:

APPROVAL GRANTED
~~APPROVAL EXTENDED~~
~~APPROVAL REFUSED~~
~~APPROVAL WITHDRAWN~~
PRODUCTION DEFINITELY DISCONTINUED

of a type of reversing lamp

pursuant to Regulation No. 23/00

Approval No. 2311

Extension No. -

- Trade name or mark of the device: Talmu 14 1179-240, 14 1179-230
Hella 2ZR 964 169-03
- Manufacturer's name for the type of device: reversing lamp
- Manufacturer's name and address: Oy Talmu Ab
FIN-24100 Salo, Finland
- If applicable, name and address of the manufacturer's representative: -
- Submitted for approval on: 20.3.1998
- Technical service responsible for conducting approval tests: Technical Research Centre of Finland,
VTT AUTOMATION, Product Technology
P.O.Box 13051
FIN-02044 VTT, Finland
- Date of test report: 18.3.1998
- Number of test report: AUT/TES/40/98





9. Concise description:

Number and category of
filament lamp(s)

one lamp, P21W

10. Position of the approval mark:

on the lens, see drawings No. 014021-00

11. Reason(s) for extension
(if applicable):

--

12. Approval

~~granted~~refused, ~~extended~~/withdrawn

13. Place:

Helsinki

14. Date:

24.3.1998

15. Signature:

Martti Lahti
Head of Unit



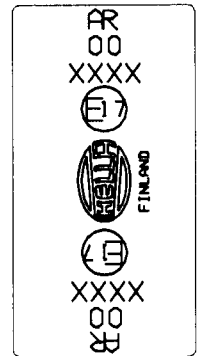
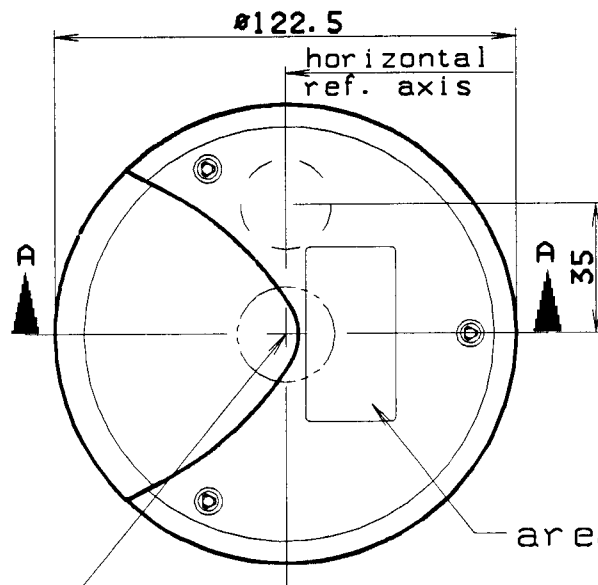
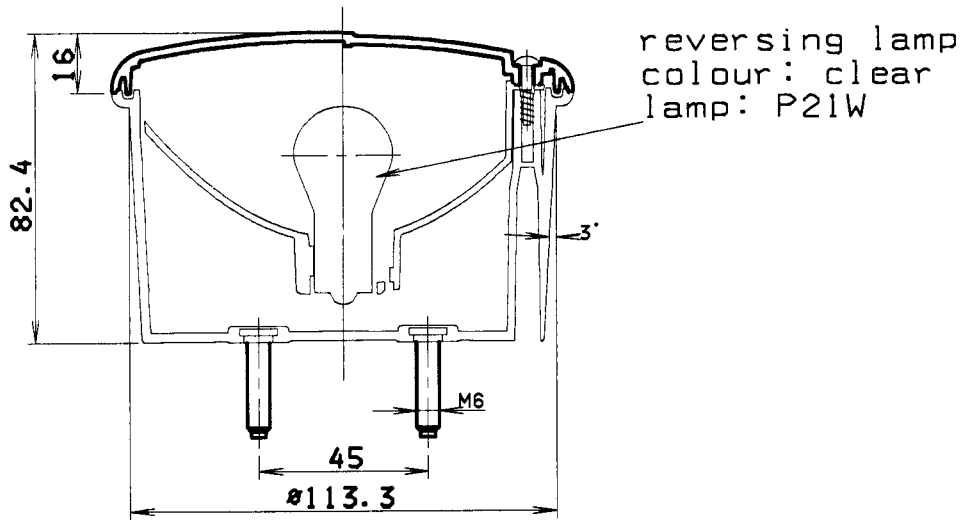
16. The list of documents deposited with the Administrative Service which has granted approval is annexed to this communication and may be obtained on request

Test report No. AUT/TES/41/98
Drawings No. 014024-00
014080-00

AR
00




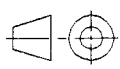
2311

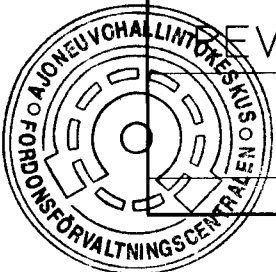


AR
00
E17
2311

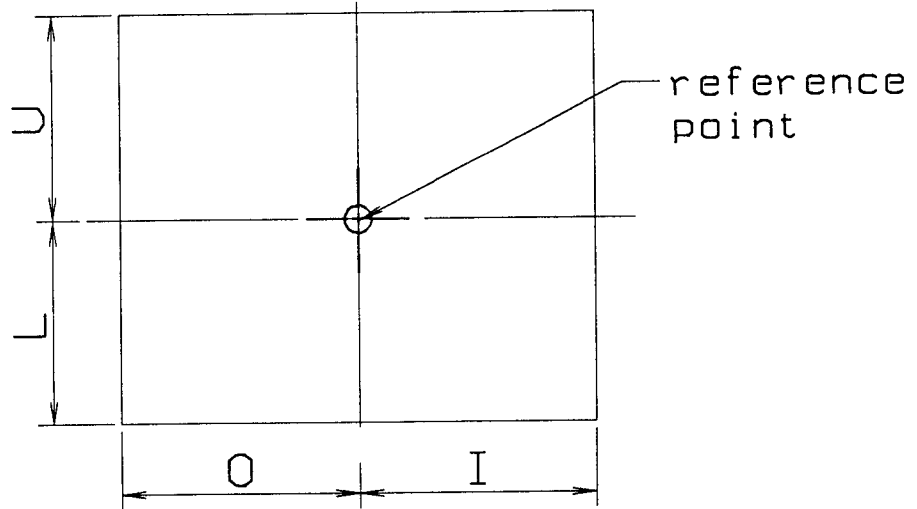
reference point

Talmu product number: 14 1179-240 with fixing screws
 " " : 14 1179-230 without " "
 Hella " " : 2ZR 964 169-03

SCALE	1:2	DATE	NAME	 OY TALMU AB FINLAND
ISO-E		DRAWN	EHA	
		EXAM.	TUKE	
PART NAME				MODE
REVERSING LAMP 1179				H
DRAWING NO			ISO-A	
014024-00			4	
MCADAM				



Determining the lower, upper and lateral limits of the illuminating surface of the lamp device.
 According to European DIRECTIVE 91/663/EEC, Annex I
 "Installation of lightning and light-signalling devices",
 clause 1.9.2.
 According to ECE regulation 48/01
 "Installation of lightning and light-signalling devices",
 clause 2.9.2.



Function	upper limit (U) mm	lower limit (L) mm	outer limit (O) mm	inner limit (I) mm
Reversing lamp	39	38	42	48


AR
00



2311

Belongs drw. no: 014024-00

See test report VTT AUT/TES/40/98

SCALE	—	DATE	NAME	 OY TALMU AB FINLAND
	DRAWN	19.03.1998	EHa	
ISO-E	EXAM.			
	GROUP		TUKE	
PART NAME	REVERSING LAMP 1179			MODE H
ILLUMINATING SURFACE			DRAWING NO	ISO-A
			014080-00	4
			MCADAM	

