



Vehicle Administration has, on the application of Hella Lighting Finland Oy, located in Salo, by virtue of the Decree of the Ministry of Transport and Communications 874/94 § 2 on Carrying into Effect the Agreement Concerning the Adoption of Uniform Conditions of Approval and Reciprocal Recognition of Approval for Motor Vehicle Equipment and Parts, decided to grant extension to the ECE approval for the motor vehicle reversing lamp model Talmu 14 1179-240, 14 1179-230 and Hella 2ZR 964 169-03 manufactured by the applicant, carrying approval number 2311 Extension 2 and complying with the ECE regulation No. 23/00 as specified in the enclosed Approval Certificate and Drawings.

Each lamp device meant by this type-approval must be equipped with markings required by the ECE Regulation in question.

The lamp devices marked with the approval number must correspond to the devices examined in tests on which this approval decision is based. The approval can be cancelled if it is found that the lamp devices carrying the approval number do not comply with the requirements of ECE Regulations No. 23/00.

The applicant is obligated to inform Vehicle Administration and the technical service responsible for conducting approval tests of changes intended for the lamp devices.

Helsinki, on 23rd September, 1999

Head of Unit

Martti Lahti

Inspection Engineer

Anna Malkamäki

Charge FIM 1000,-

HELLA LIGHTING FINLAND OY
24280 SALO



Date
23.9.1999

Dnr
1832/209-99

AR
00

COMMUNICATION



2311

concerning:

~~APPROVAL GRANTED~~
~~APPROVAL EXTENDED~~
~~APPROVAL REFUSED~~
~~APPROVAL WITHDRAWN~~
~~PRODUCTION DEFINITELY DISCONTINUED~~

of a type of reversing lamp

pursuant to Regulation No. 23/00

Approval No. 2311

Extension No. 2

- | | | |
|----|---|--|
| 1. | Trade name or mark of the device: | Talmu 14 1179-240, 14 1179-230
Hella 2ZR 964 169-03 |
| 2. | Manufacturer's name for the type of device: | reversing lamp 1179 |
| 3. | Manufacturer's name and address: | HELLA LIGHTING FINLAND OY
FIN-24280 Salo
FINLAND |
| 4. | If applicable, name and address of the manufacturer's representative: | n.a. |
| 5. | Submitted for approval on: | 7.9.1999 |
| 6. | Technical service responsible for conducting approval tests: | VTT AUTOMATION
Product Technology
Laboratory of Lighting Technology
P.O.Box 13051
FIN-02044 VTT, FINLAND |
| 7. | Date of test report: | 22.6.1998 and <u>2.9.1999</u> |
| 8. | Number of test report: | AUT/TES/77/98 and <u>AUT/TES/288/99</u> |






Date
23.9.1999

Dnr
1832/209-99

9. Concise description:
Number and category of filament lamp(s): one lamp, P21W
10. Position of the approval mark: on the lens, see drawing
No. 014024-00
11. Reason(s) for extension (if applicable): new drawing for the situation in which
the device is assembled into the
console: See drawing No. 341 211-00
12. Approval ~~granted/refused, extended/withdrawn~~
13. Place: Helsinki
14. Date: 23.9.1999
15. Signature:


Martti Lahti
Head of Unit



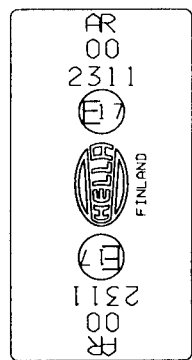
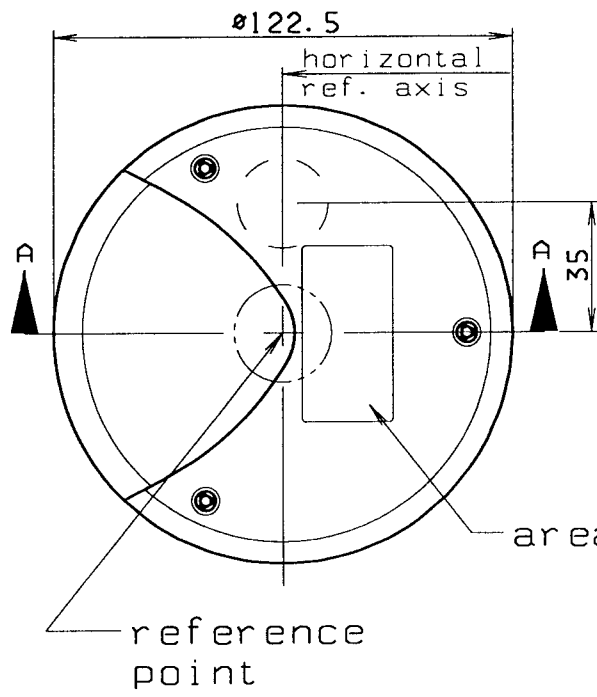
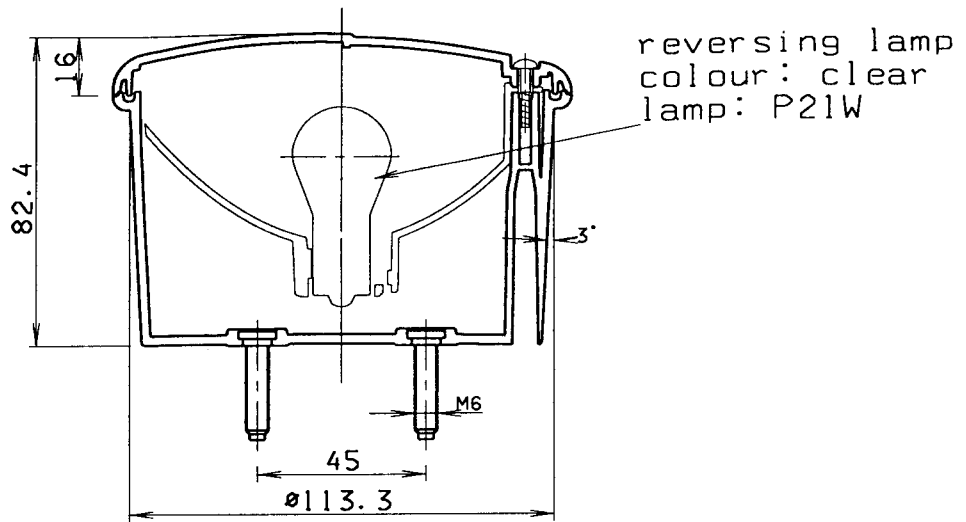
16. The list of documents deposited with the Administrative Service which has granted approval is annexed to this communication and may be obtained on request.

Test report No. AUT/TES/77/98
AUT/TES/288/99
Drawings No. 014024-00
014145-00
341 211-00

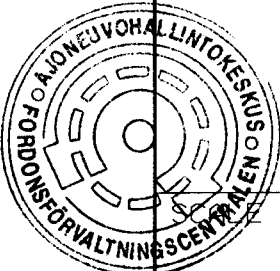
AR
00




2311

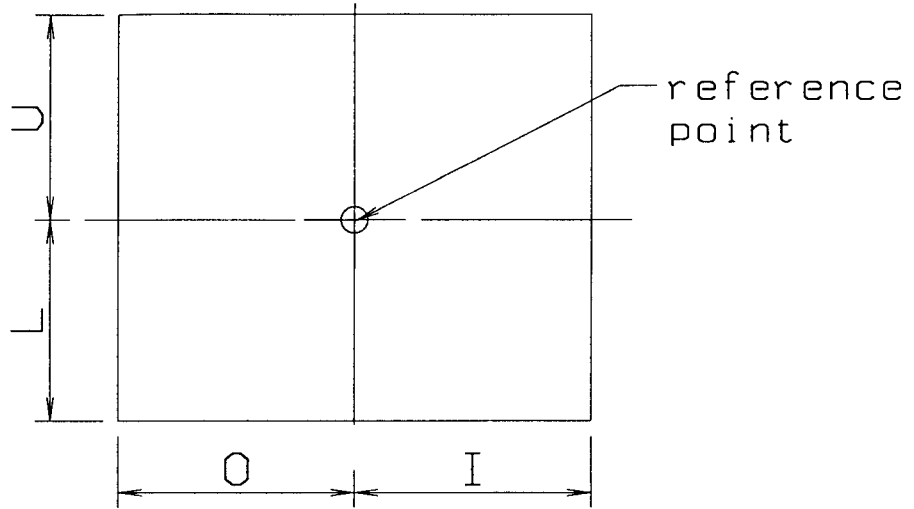


Talmu product number: 14 1179-240 with fixing screws
 " " : 14 1179-230 without " "
 Hella " " : 2ZR 964 169-03



1:2	DATE	NAME	 OY TALMU AB FINLAND
	DRAWN 26.01.1998	EHA	
	EXAM.		
ISO-E	GROUP	TUKE	
AR	PART NAME		MODE
00	REVERSING LAMP 1179		H
2311	DRAWING NO		ISO-A
	014024-00		4
	MCADAM		

Determining the lower, upper and lateral limits of the illuminating surface of the lamp device.
 According to European DIRECTIVE 91/663/EEC, Annex I
 "Installation of lightning and light-signalling devices",
 clause 1.9.2.
 According to ECE regulation 48/01
 "Installation of lightning and light-signalling devices",
 clause 2.9.2.

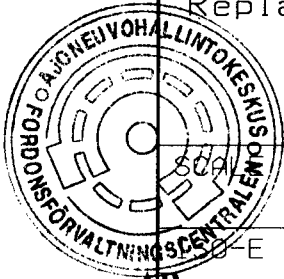


Function	upper limit (U) mm	lower limit (L) mm	outer limit (O) mm	inner limit (I) mm
Reversing lamp	36	39	41	50

Belongs drw. no: 014024-00

See test report VTT AUT/TES/77/98

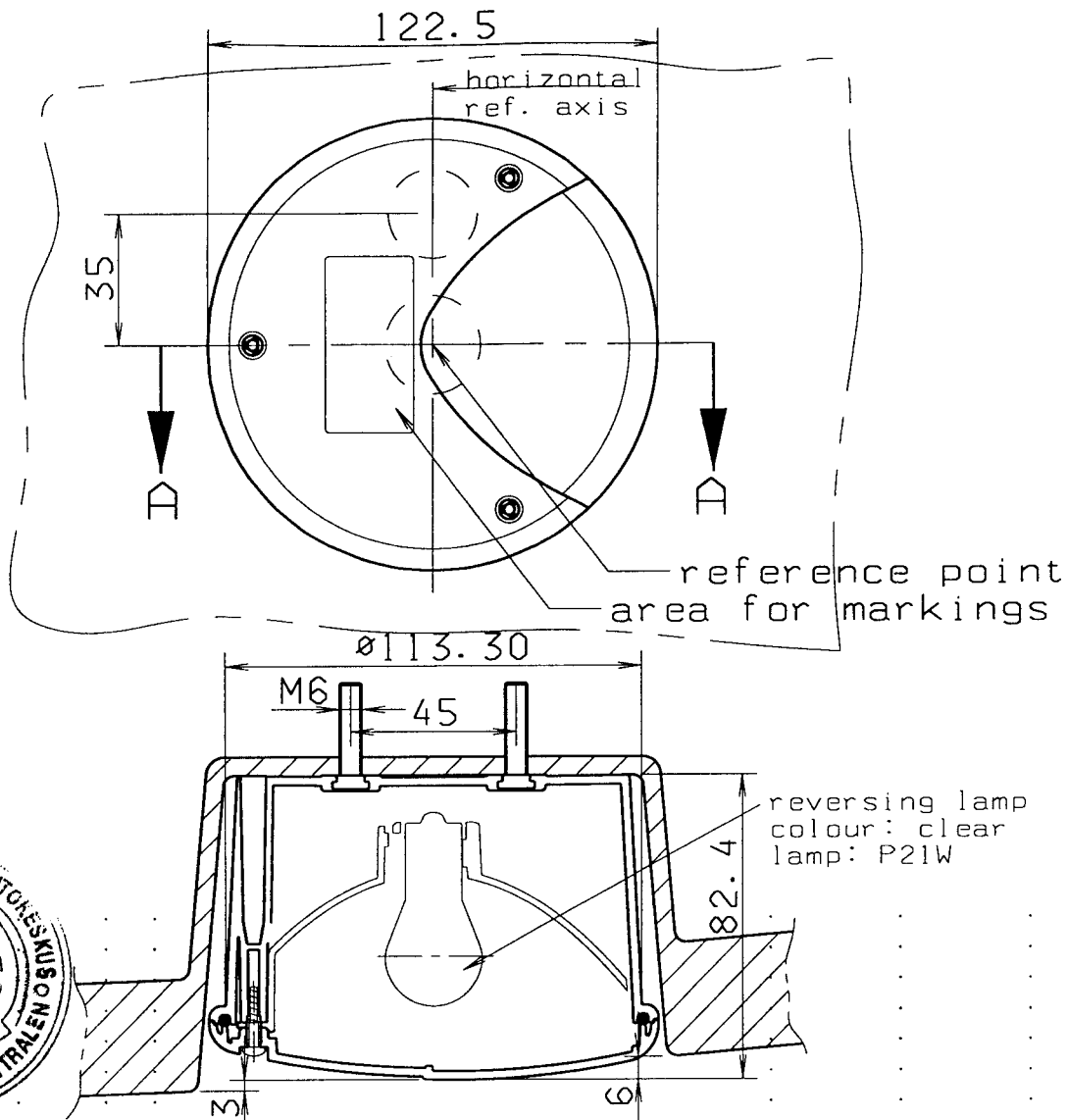
Replacing drw. no. 014080



	DATE	NAME	 OY TALMU AB FINLAND	
	DRAWN	01.07.1998		EHa
	EXAM.			
AIR	GROUP	TUKE		
PART NAME			MODE	
REVERSING LAMP 1179			H	
ILLUMINATING SURFACE		DRAWING NO	ISO-A	
		014145-00	4	
		MCADAM		

E17

2311




PRODUCT NUMBER: 14 1179-240

2D	3D	A-Index Rev. Ind.	war was	Blatt Page	Aenderung Rev. Description	A-Nr. Rev. No.	Datum Date	K-Gr. /Userid Dept. /Userid
----	----	----------------------	------------	---------------	-------------------------------	-------------------	---------------	--------------------------------

Oberflaeche I Surface I								
Werkstoff I Material I								
Allgemeintoleranz General Tolerance					Gewicht Weight			Mat.-Nr. Mat. -No.

Diese Unterlage ist vertraulich zu behandeln. Ihre Weitergabe sowie die Verwertung und Mitteilung ihres Inhalts ist nur mit unserer ausdruecklichen Genehmigung gestattet. Wir behalten uns alle Rechte vor, insbesondere das Recht zur Schutzrechtsanmeldung. This document is confidential. It's contents are not to be exploited, passed on or disclosed to third parties without our express permission. All rights reserved.

Masstab Scale	1999	Datum Date	04.08	Userid	EIH	 Hella Lighting Finland
Projektionsmethode Projection	AR	Erstellt/Entw. Drawn		JNI		
	00	Freigegeben Checked				

Benennung	Artikel-Nr.	Part No.
E 17		

Titel Title	Zeichnungs-Nr. Drawing No.	Format Size
REVERSING LAMP 1179	341 211-00	A4

Ersatz fuer Replaces	Blatt: Page:	Blattzahl: Of:
CANAM:	Dnk. -Status:	