

FEATURES

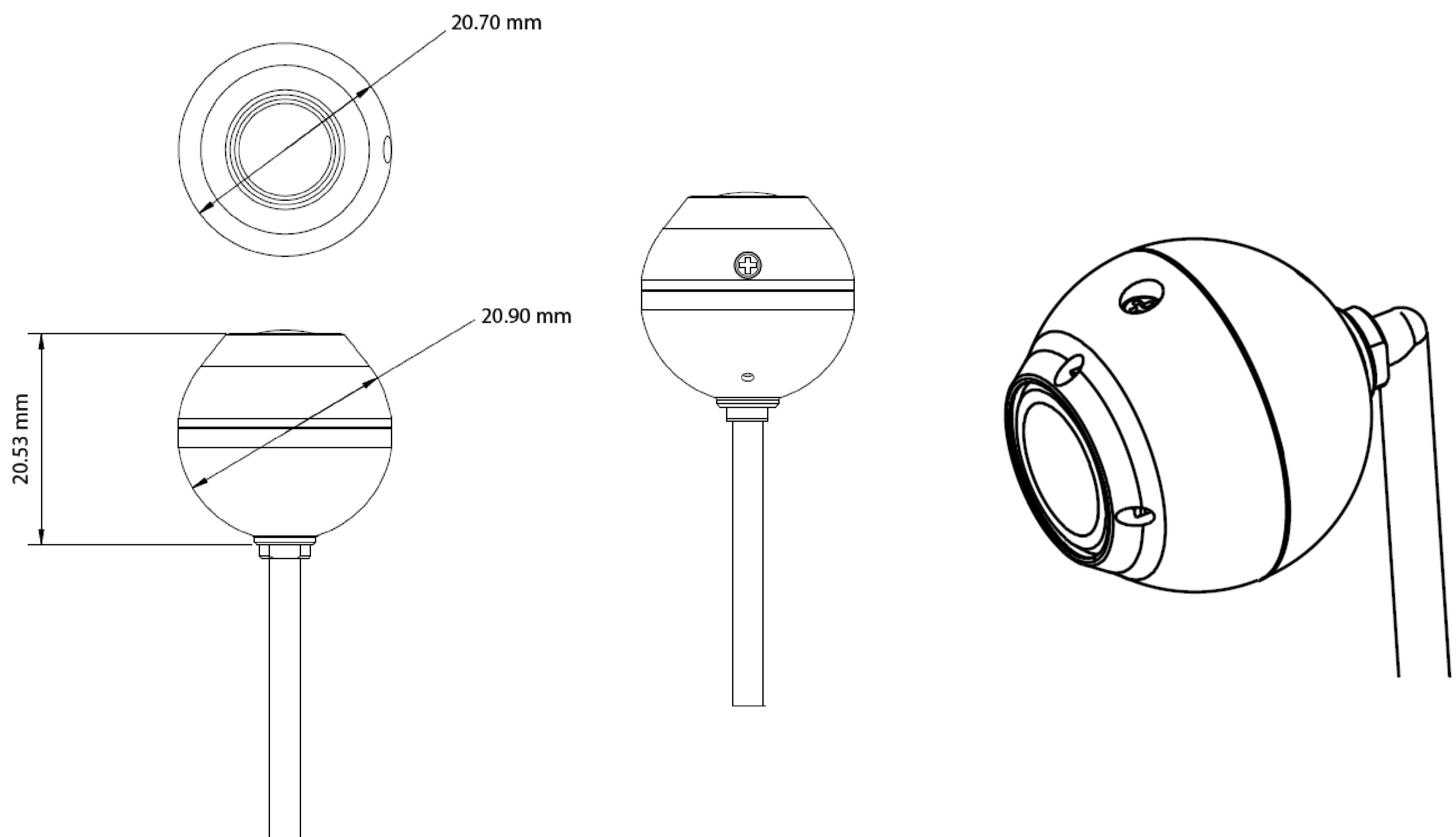


- High resolution 1/3.2" Color Digital CMOS Camera
- Compact & Smart Design
- Easy adjustable in any viewing direction
- IP69K Waterproof Rating
- Diagonal 140° Viewing angle
- Automatic Electronic Iris
- Mirror / Normal Image function (via loop-wire)
- Built-in Microphone (for one-way Audio)
- Low-illumination
- Low Power Consumption
- Multi-purpose (Sideview, Rearview, Surveillance, etc)
- 2 Bracket types included
- Small diameter waterproof connector, Φ 6mm
- Anti-corrosive coating
- Operating temperature -40°C to + 80°C
- Vibration resistant (5G)
- ECE R10.05 approved (EMC)

Specifications

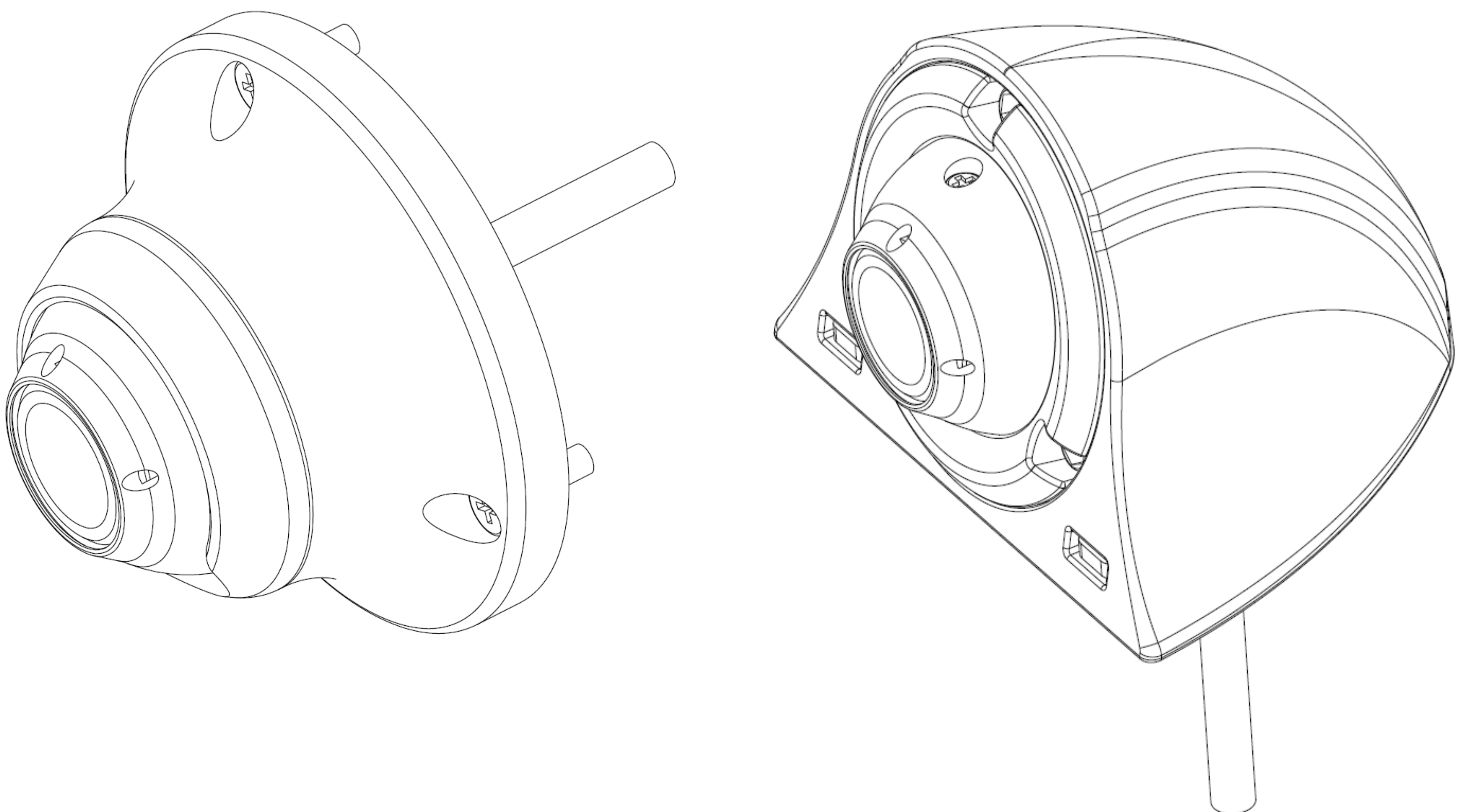
Image Sensor	1/3.2" Color Digital CMOS Image Sensor
Effective Pixels	CVBS - PAL, 1.23 Mega pixels, 1280(H) x 960(V)
Resolution	750TV lines
Synchronizing System	Internal
S/N Ratio	More than 46dB
Minimum Illumination	0.5 Lux
Power Range	DC 6V ~ DC 18V
Power Consumption	DC 12V, 80mA (Max)
Operating Temperature	-40°C to +80°C
Video Output	75 Ω , 1.0Vp-p
Material	Aluminum Die-casting
Housing Color	Black
Lens Viewing Angle	140° Diagonal, 110° Horizontal, 85° Vertical
Dimensions	Approx. Φ 21 mm (camera only) Φ 43 x 25.5(H) mm, including Bracket type 1 (dome type) 46.5(W) x 44.5(L) x 33(H) mm, including Bracket type 2 (side view type)
Weight	Approx. 24g (camera only) Approx. 50g, including Bracket type 1 (dome type) Approx. 57g, including Bracket type 2 (side view type)

Dimensions

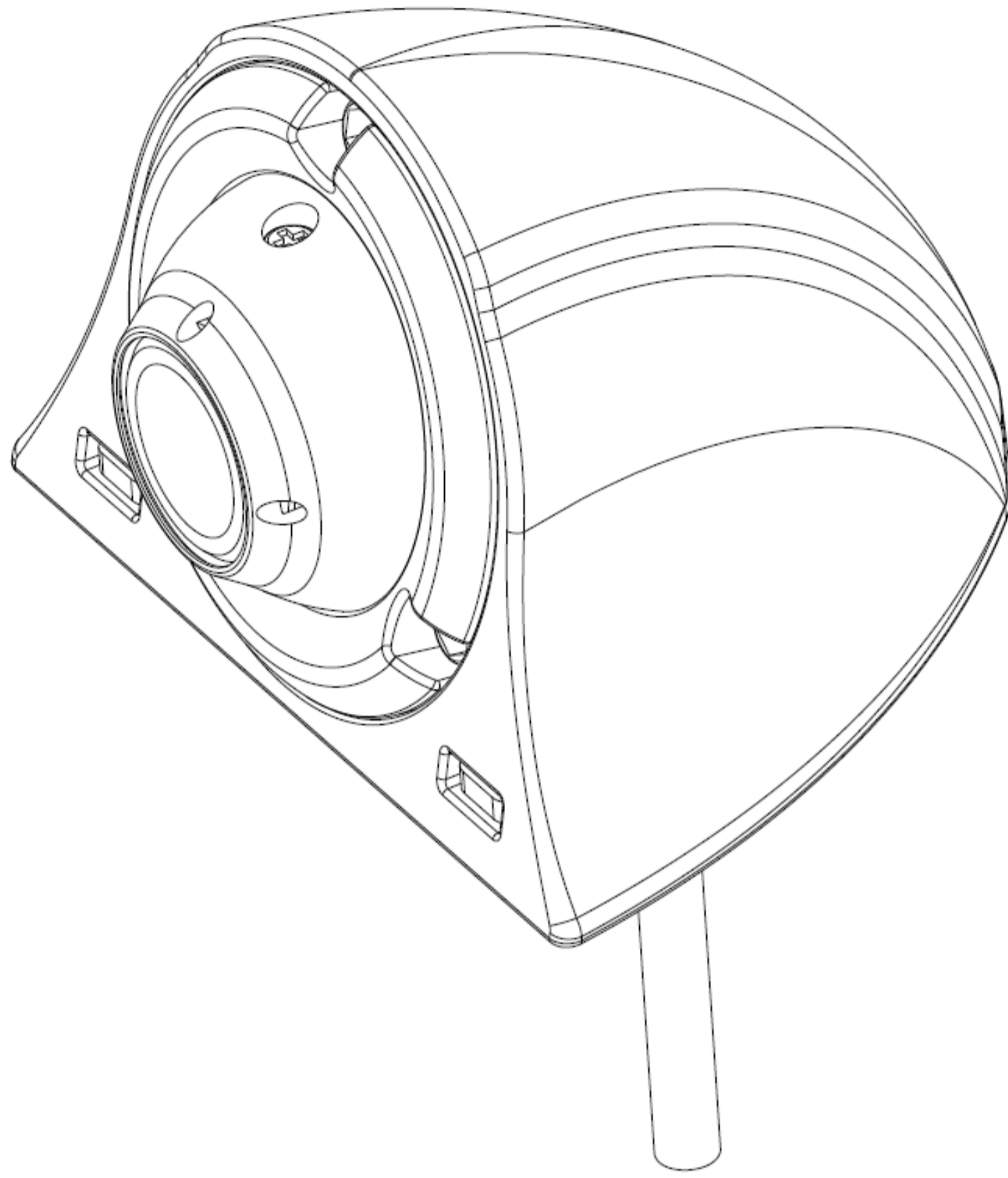


CAMERA

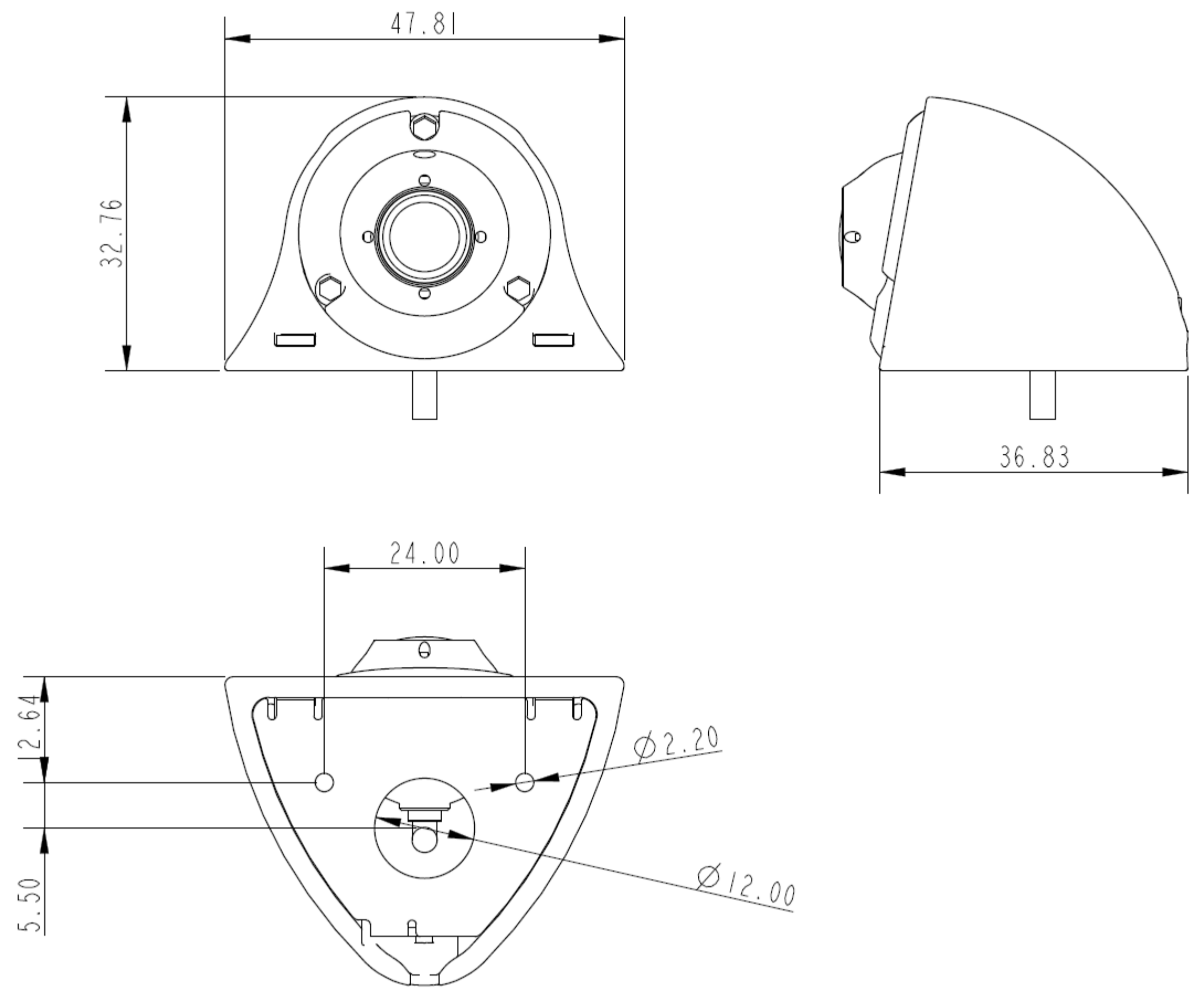
Camera with mount bracket



Dimensions

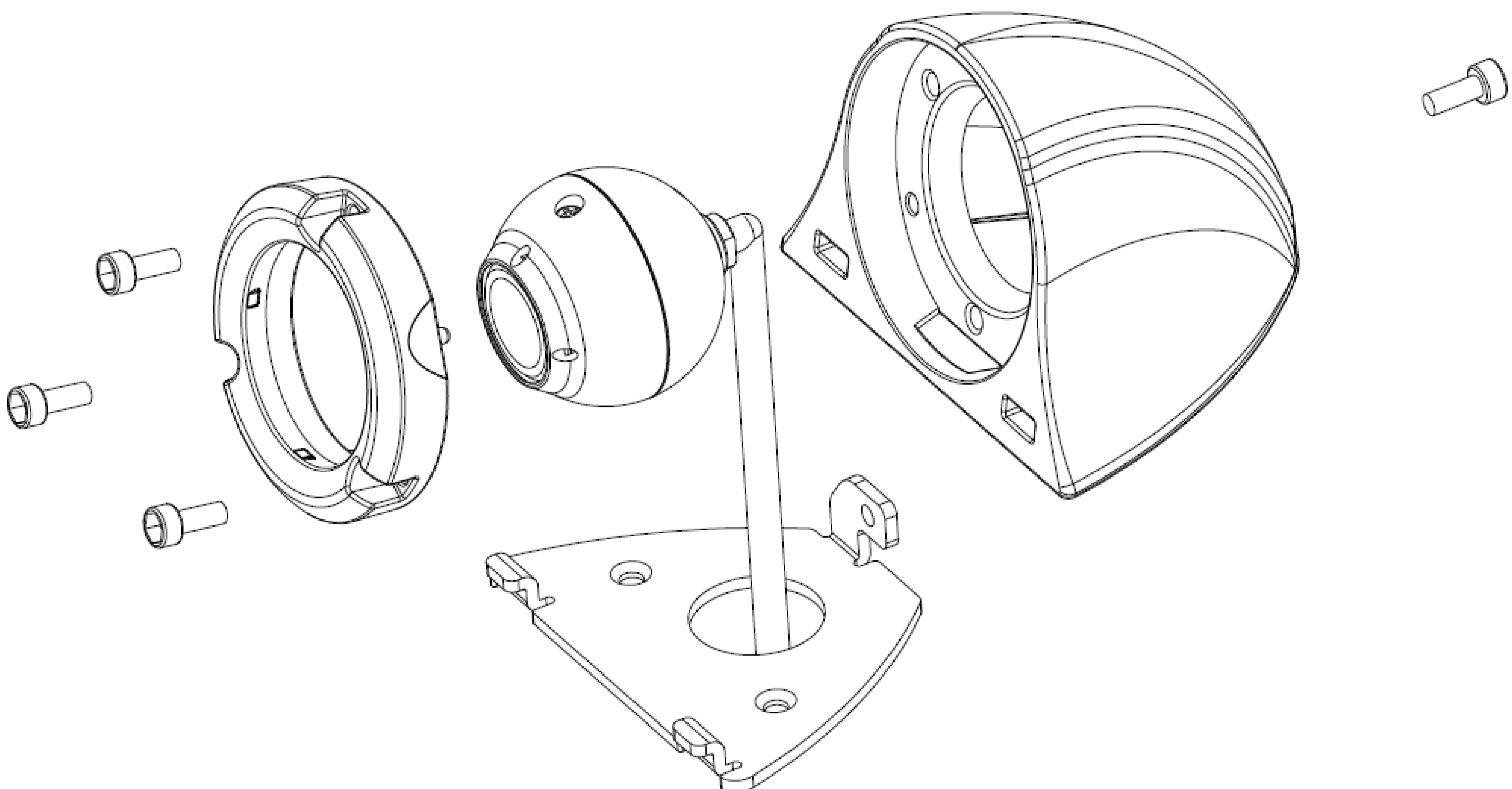


CAMERA

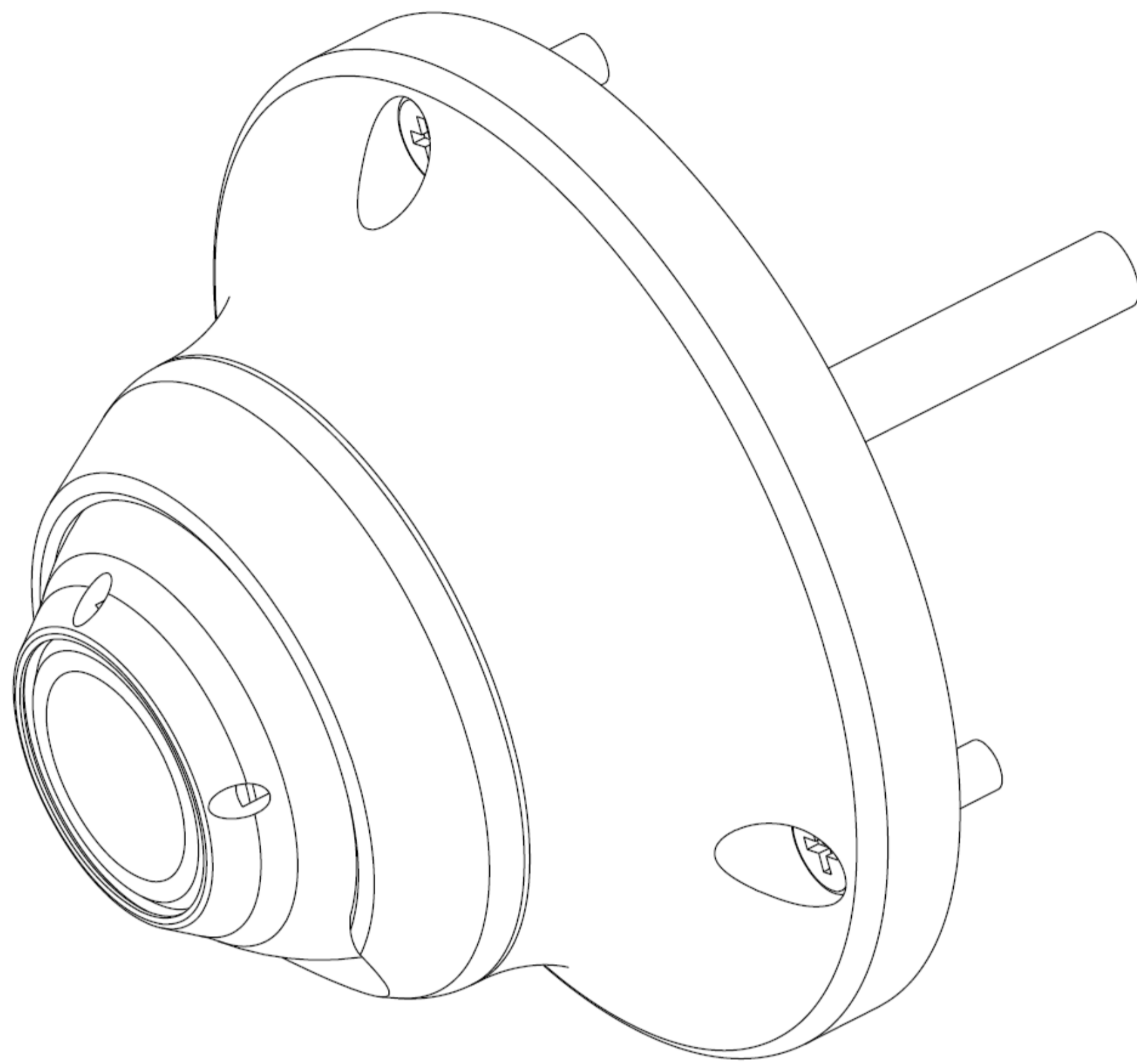


MOUNTING BRACKET

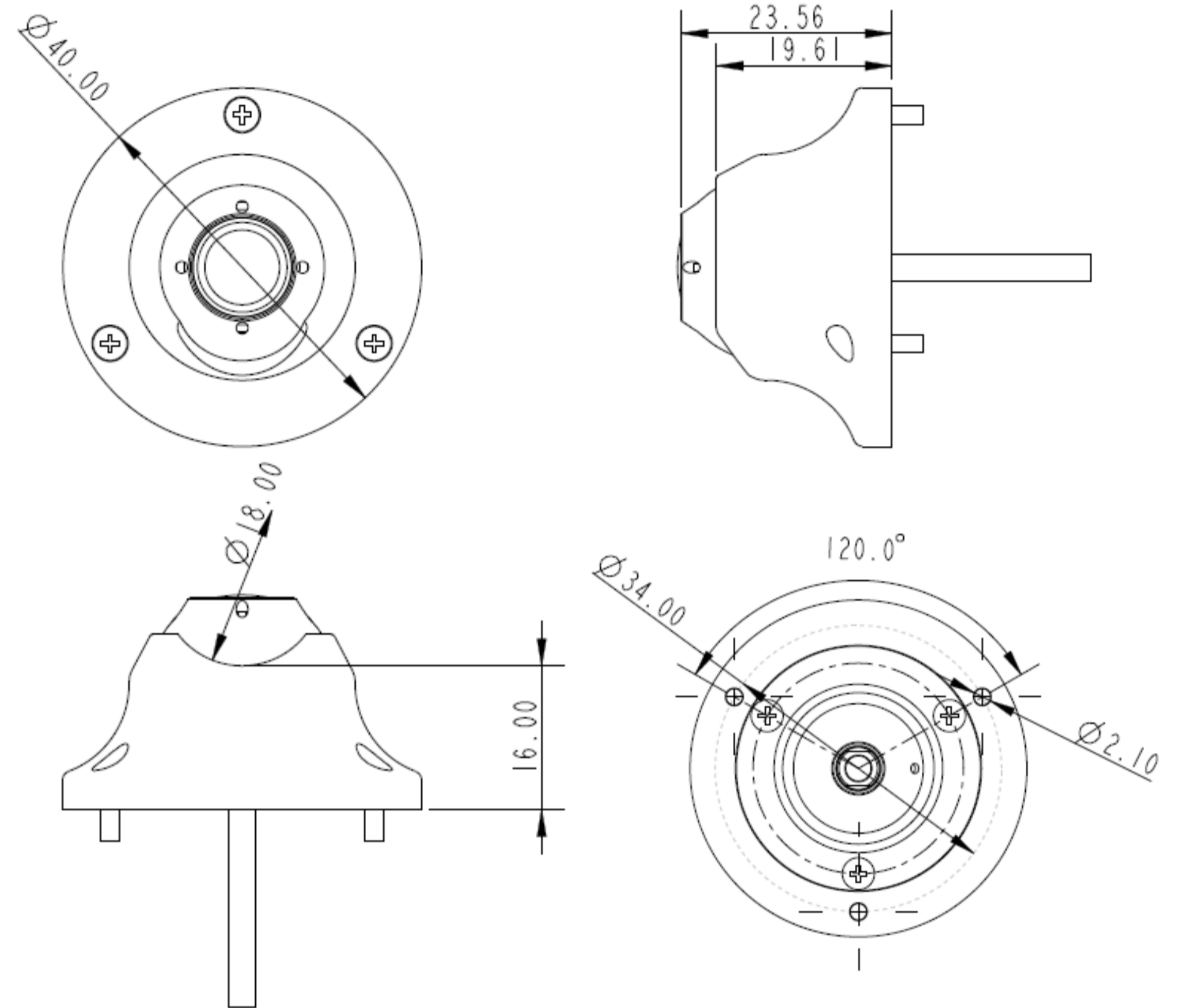
Assembly (camera + mount)



Dimensions



CAMERA



MOUNTING BRACKET

Assembly (camera + mount)

