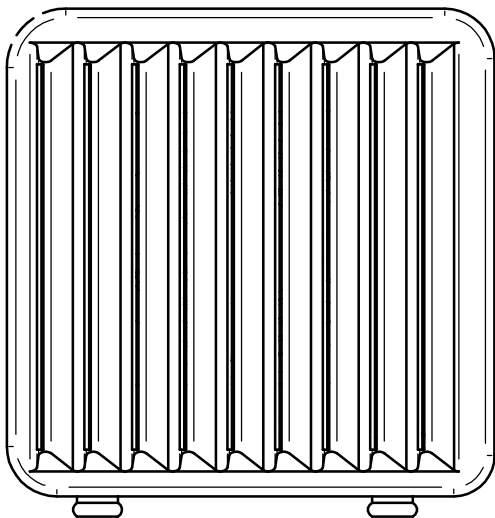
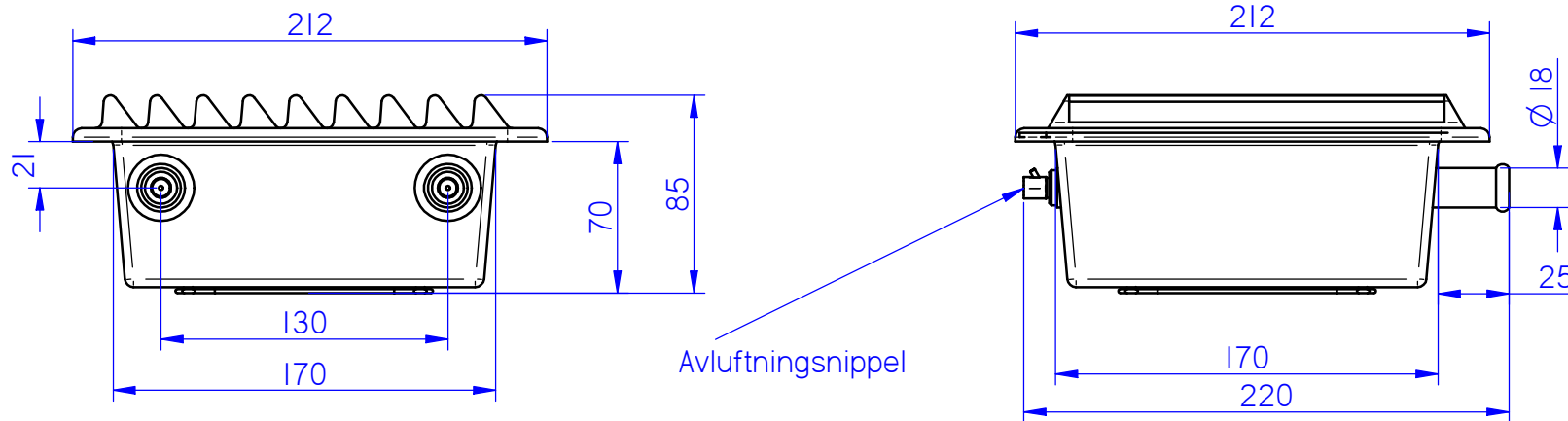


THE INFORMATION CONTAINED IN THIS DOCUMENT IS PROPRIETARY TO AUTO TERMO SYSTEM AB. ANY REPRODUCTION IN PART OR WHOLE WITHOUT PRIOR WRITTEN AUTHORIZATION OF AUTO TERMO SYSTEM AB IS PROHIBITED.



Item.no
10110894

10110894	12V
10110896	24V

Fundamental tolerancing principle acc to SS-ISO 8015	Form and location tol. acc to SS-ISO 1101	Maximum material principle M acc to SS-ISO 2692	Reference and reference system acc to SS-ISO 5459
Scale/Format	Material	Note	
Tolerance	Surface treatment/Finish	Weight/volume	Page
	Title A36 Junior	Drawn by/Date Hugo Ulfsson /11-11-21	Design
		Drawing no. 10110894	Rev 1