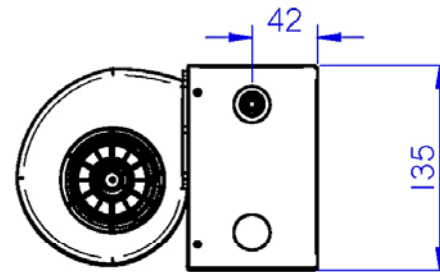
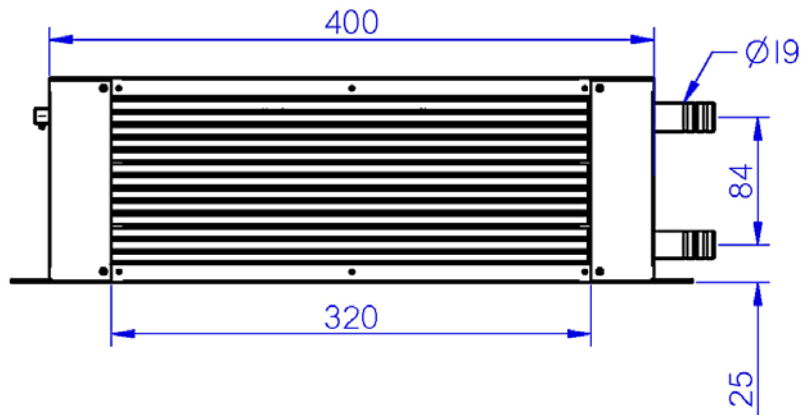
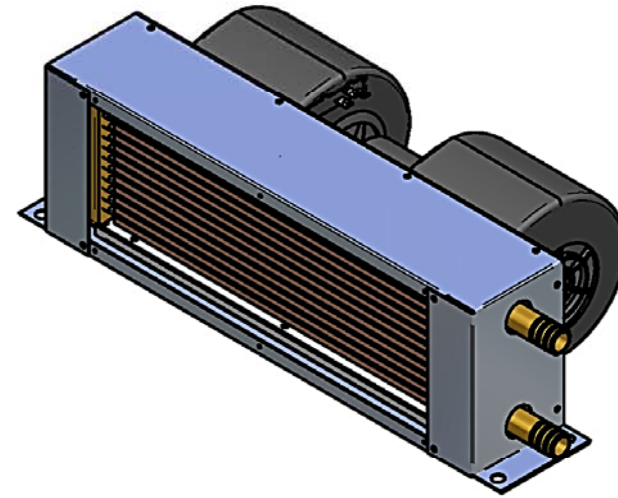
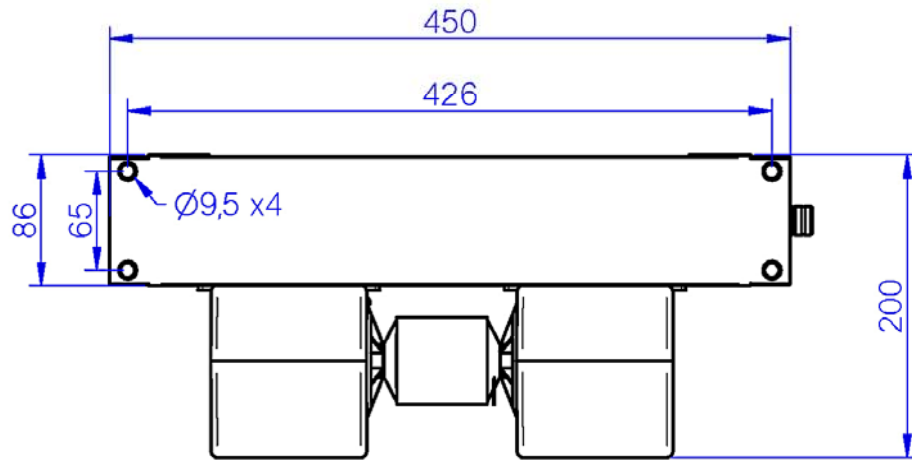


THE INFORMATION CONTAINED IN THIS DOCUMENT IS PROPRIETARY TO AUTO TERMO SYSTEM AB. ANY REPRODUCTION IN PART OR WHOLE WITHOUT PRIOR WRITTEN AUTHORIZATION OF AUTO TERMO SYSTEM AB IS PROHIBITED.



Item.no

| | | | |
|---|--|---|--|
| Fundamental tolerancing principle acc to SS-ISO 8015 | Form and location tol. acc to SS-ISO 1101 | Maximum material principle M acc to SS-ISO 2692 | Reference and reference system acc to SS-ISO 5459 |
| Scale/Format | Material | Note | |
| Tolerance | Surface treatment/Finish | Weight/volume | Page |
| KGK | Title | Drawn by/Date | Design |
| | W 320 012 139 12V W 320 024 139 24V | 2013-03-14 | |
| | | Drawing no. | Rev |
| | | | 1 |