

2-WAY SPEAKER GTx 542 ES

130 mm/ 5,4" | 180 watts max. power



Subject to availability and technical modification.

Highlights

Start of sales

Spring 2019

Order number

2 003 017 123 457

EAN- Code

4 260 499 850 050

- 2-way coaxial speaker
- 130 mm/ 5,4" diameter
- 180 watts maximum power handling
- 40 watts nominal power handling
- Injected PP- membrane (glossy black)
- Extended pole design (EXP)
- Gold plated connectors
- High-quality design grille
- Installation depth only 47,5 mm/ 1,87"
- Accessories: including design grille, cables, mounting material, installation instructions

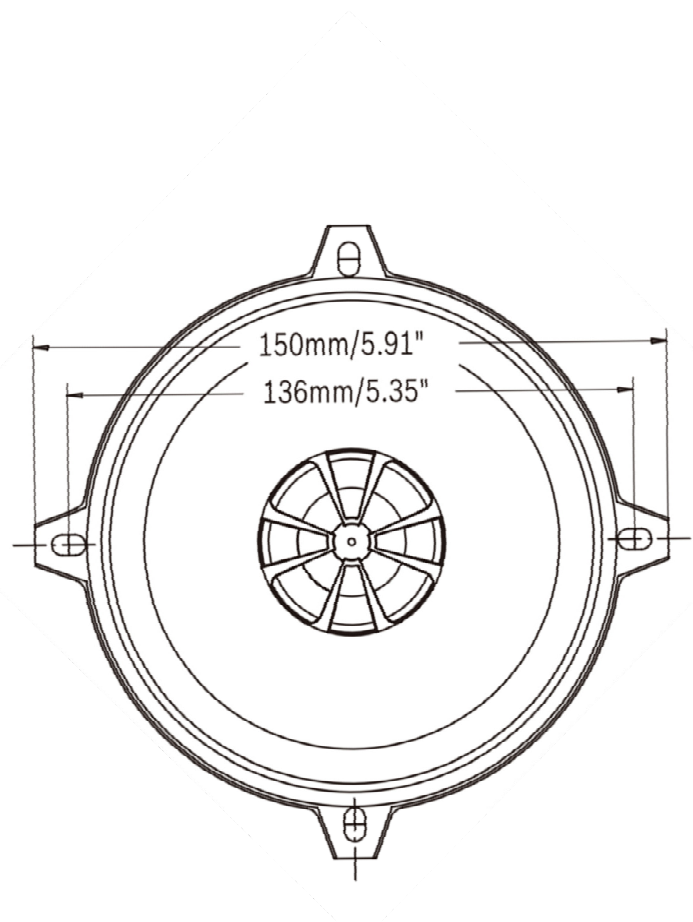
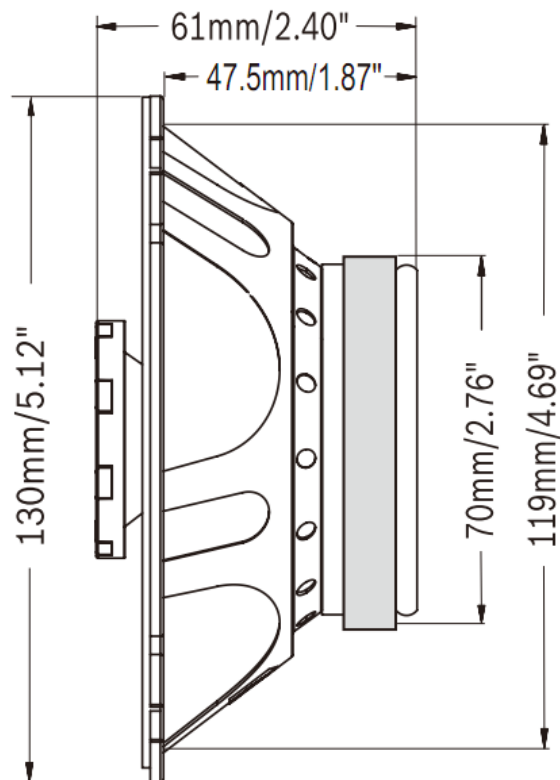
2-WAY SPEAKER GTx 542 ES

130 mm/ 5,4" | 180 watts max. power

2/3

Technical data:

- System 2-way coaxial
- Diameter 130 mm/ 5,4"
- Maximal power handling 180 watts
- Nominal power handling 40 watts
- Nominal impedance 4 ohms
- Frequency response 70- 20.000 Hz
- Efficiency (2,83V/1 m) 91 dB
- Cone material Injected PP membrane
- Basket material Steel, crinkle black
- Connectors 2,8/ 4,8 mm, gold plated
- Installation depth 47,5 mm/ 1,87"
- Diameter installation hole 119 mm/ 4,69"
- Accessories Design grille, cables, mounting material, installation instructions



2-WAY SPEAKER **GTx 542 ES**

130 mm/ 5,4" | 180 watts max. power

3/3

Overview of GTx ES Series 2019



100mm/4"

GTx 402 ES

Peak power handling	140 watts
RMS power handling	30 watts
Impedance	4 ohms
Frequency response	90- 20.000 Hz
Sensitivity	90 dB (2.83 V/ m)



130mm/ 5,4"

GTx 542 ES

Peak power handling	180 watts
RMS power handling	40 watts
Impedance	4 ohms
Frequency response	70- 20.000 Hz
Sensitivity	91 dB (2.83 V/ m)



165mm/ 6.6"

GTx 662 ES

Peak power handling	220 watts
RMS power handling	45 watts
Impedance	4 ohms
Frequency response	55- 22.000 Hz
Sensitivity	92 dB (2.83 V/ m)



165mm/ 6.6"

GTx 663 ES

Peak power handling	240 watts
RMS power handling	50 watts
Impedance	4 ohms
Frequency response	40- 22.000 Hz
Sensitivity	93 dB (2.83 V/ m)