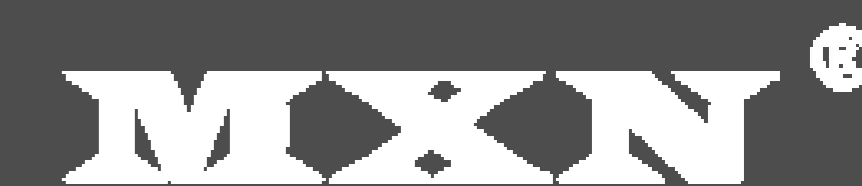


MXN44C-MOD

Compact, Mini Ball HD-TVI Color Camera

Moving Object Detection Camera

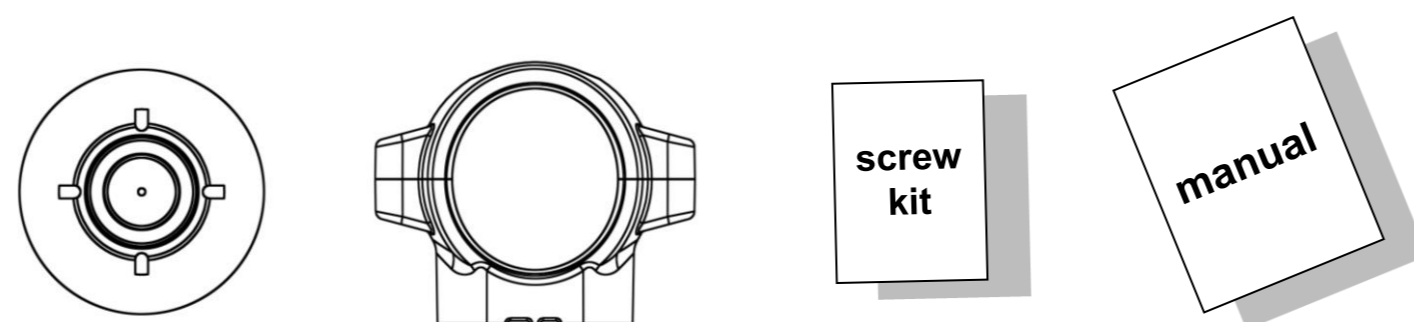


Instruction Manual

MXN44C-MOD Camera



Contents



Camera x 1 Camera Bracket x 1 Screw kit x 1 Manual x 1

Features

- Moving Object Detection Camera
- Compact size color camera with integration of MOD function.
- Compatible with MXN HD-TVI monitors w/o any control unit
- Detection of moving object (pedestrians, cyclist, vehicles, etc.)
- Audio Warning Alarm (via MXN HD-TVI monitor's speaker)
- 2.07 Mega pixels Full HD SONY CMOS Color camera
- 1/2.8" Color CMOS high resolution image sensor (STARVIS)
- HD-TVI 1080p 30fps
- IP69K Waterproof Rating
- Multi purpose (Frontview, Sideview, Rearview, Surveillance, etc)
- Waterproof screw type connector, 4-pin mini-DIN

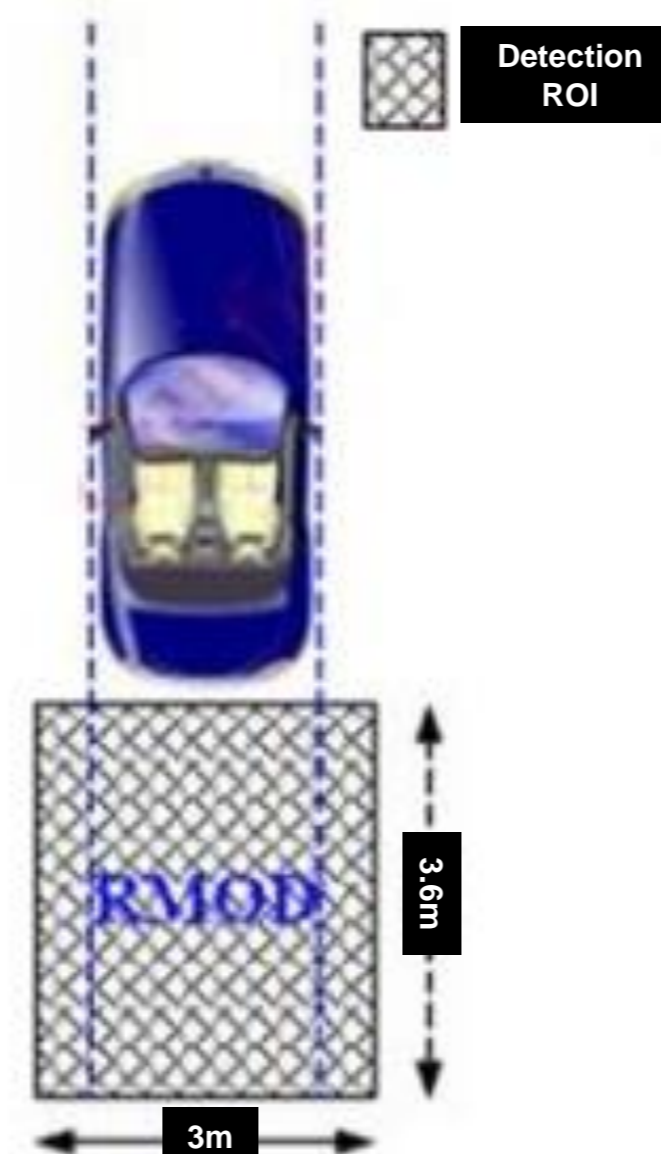
- Diagonal 200° Viewing angle
- Normal/Mirror Image adjustable (via loop wire)
- Ultra low light performance
- Automatic Electronic Iris
- Built-in Microphone (for one-way Audio)
- Temperature Range -40°C to +80°C
- Vibration resistant (10G)
- ECE R10.05 approved (EMC)

Moving Object Detection Function



3 Different Color Display

- Long-distance
- Middle-distance
- Short-distance



Item	Performance
System enabled speed (User's vehicle speed)	0 ~ 10km/h
Detection area (Width*Length)	3 * 3.6m
Min. dimension of the detection target/object (Width*Height)	30 * 50cm
Detectable moving speed of the target	1 ~20 km/h
Detection success rate	> 95%
False alarm rate	< 5%

	Static vehicle	Moving vehicle
Static object	No alert	No alert
Moving object	Detection alert	Detection alert

Technical Specifications

Image Sensor	: 1/2.8" SONY CMOS Sensor (STARVIS)
Effective Pixels	: 2.07 Mega pixels 1920(H) X 1080(V)
Resolution	: 1080 TV lines
Scanning System	: Progressive
Video Output	: HD-TVI 4.0, 1080P/30fps
Audio Input	: High Sensitive C-Microphone
S/N ratio	: Minimum 48dB (at AGC off)
Minimum illumination	: 0.5 Lux (50IRE)
Power consumption	: DC 12V, 200mA
Power range	: DC 9 ~ 48V
Operating temperature	: -40°C to +80°C
Viewing angle	: 200°(Diagonal) x 175°(Horizontal) x 97°(Vertical)
Dimensions	: Ø38mm, 59(W) x 38(D) x 50(H) incl. bracket
Weight	: Approx. 107g (total weight incl. bracket : 120g)

Installation

Camera Assembly

1. Fix the supplied camera bracket to the vehicle.
2. Fix the bracket with camera according to drawing.
3. Adjust the viewing angle of the camera and fasten the screws firmly.

Cable grommet

Drill a suitable hole (approx. Ø 19mm) and insert the cable grommet.

Just before final fixation, please apply a proper sealant (for prevention) between the hole and the grommet and also between the cable and the grommet.

Wiring to Monitor

Run the cable from the camera to the monitor.

Camera pin configuration:

- Normal / Mirror Video out
- Audio out
- Power (9-32V DC)
- GROUND

MXN10Q-TVI Monitor or MXN10-TVI Monitor

Normal / Mirror Image adjustment

The Normal / Mirror image can be changed via the GREEN loop wire:

- * Green loop wire un-cut : MIRROR image
- * Green loop wire cut : NORMAL image

Securing cable connection

1. Match the arrow marks and press the connectors together.
2. Screw the camera connector up clockwise.
3. Tighten cable connection firmly in order to prevent water ingress.

Note!
Warranty will not be valid if the problem is related to moist / corrosion in the connector.

Caution !!

1. Before making the connection, disconnect the ground terminal from the battery to avoid short circuits.
2. The plugs should be fully inserted into the connectors or jacks. A loose connection may cause malfunctioning of the unit.
3. A damaged cable may affect the operation of the camera and may even cause a malfunction of the camera or monitor: Avoid a damaged cable!
4. Protect the cable by using a guide tube, pipe or run the cable inside the vehicle as much as possible. Caution! Run the cable in natural shapes in order to prevent cable breaks.
5. Preferably use an acid free grease in between the waterproof screw type connectors and tighten them firmly each other.